

II-VI INFRARED

www.iiviinfrared.com

CO₂ LASER NOZZLES AND ACCESSORIES



BYSTRONIC®



TOLL FREE 888.558.1504 (USA and Canada)
TEL. 724.352.1504 FAX. 724.352.4980



About II-VI INFRARED

In 1971, II-VI Incorporated began by exclusively producing the highest-quality cadmium telluride (CdTe) material available for manufacturing high-power industrial CO₂ laser optics. Today, we have diversified into producing zinc selenide (ZnSe) material, as well as into numerous business units including laser tools for materials processing (HIGHYAG); near-infrared optics, YAG components, and telecommunications components (VLOC); fiber optics, projection and display optics, DPSS laser, crystal materials, and other photonics products (Photop); defense and aerospace optics (Exotic Electro-Optics); tellurium and selenium products (PRM); thermoelectric cooling devices (Marlow Industries); silicon carbide (II-VI WBG); and advanced materials development (II-VI AMDC). Given this diversity of II-VI Incorporated's business units, we have thus christened our original IR materials and optics business unit II-VI Infrared.

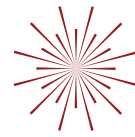
As II-VI Incorporated continues to grow, II-VI Infrared focuses on the company's original, industry-leading products: infrared and CO₂ laser optics and materials. And thanks to decades of innovation in zinc selenide (ZnSe) and zinc sulfide (ZnS) materials processing, thin-film coating, precision diamond turning, and finished optics fabrication, II-VI Infrared is the world leader in CO₂ laser optics, delivering an unbeatable combination of innovation, quality, and expertise. II-VI Infrared also delivers the largest vertically integrated CO₂ laser optics manufacturing process -- from raw materials to finished coated products -- in the world.

An optics foundry to CO₂ laser original equipment manufacturers (OEMs) the world over, consistently building optics to spec with consistent performance and quality, II-VI Infrared's products range from replacement CO₂ laser optics and nozzles to lenses, partial reflectors, windows, beamsplitters, mirrors, beam expanders, reflective phase retarders, scanning-laser system optics, diamond-turned custom optics, IR optical materials (ZnSe, ZnS, CVD Diamond), and more. Our products and reputation make us the number-one supplier to OEMs of CO₂ laser systems worldwide, while our capabilities are without rival in the industry.

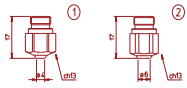
Our diamond-turning facility is among the largest and most advanced in the world, offering services such as flycutting and multiple-axis turning, as well as fast and slow tool servos for custom optics. Single-point diamond-turning is used in finishing transmissive optics and mirrors in a variety of metals and IR materials.

Major investments in computer design programs, thin film evaporation equipment, clean rooms, and QA testing facilities enable us to offer a broad range of IR thin-film coatings. II-VI Infrared is known for designing and producing consistently low-absorption coatings for high-power CO₂ laser optics. Additionally, our talented and experienced engineering team using optical design software and CAD systems, designs and builds standard and custom optics as well as specialized mounts, components, and electro-optic assemblies.

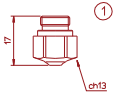
Our quality assurance program includes comprehensive testing, documentation, and statistical analysis to ensure that each optic and component performs to customer requirements.



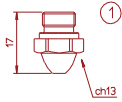
BYSTRONIC®
CONTENTS



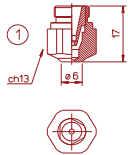
3-4



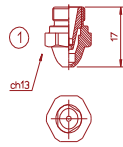
5-6



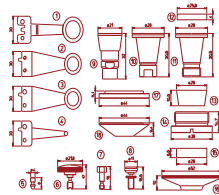
11-12



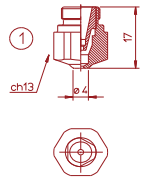
7-8



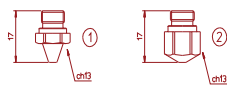
13-14



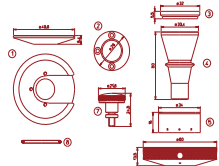
17-18



9-10



15-16

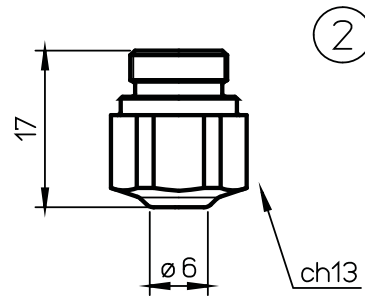
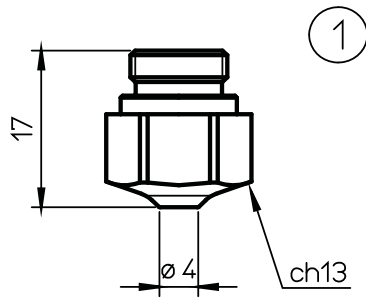


19-20



21-22



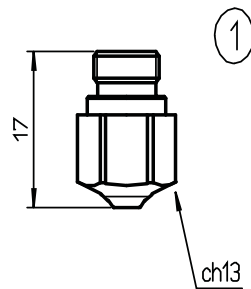




POS	II-VI P/N	OEM P/N	DESCRIPTION	
1	L674	3-04277 HK08	BYSTRONIC® NOZZLE Ø 0.8 HD	
	L30674	3-04277 HK08	BYSTRONIC® NOZZLE Ø0.8 HD	
	L72	3-01910 HK10	BYSTRONIC® NOZZLE Ø 1.0 HD	
	L3072	3-01910 HK10	BYSTRONIC® NOZZLE Ø1.0 HD	
	L121	3-01911 HK12	BYSTRONIC® NOZZLE Ø 1.25 HD	
	L30121	3-01911 HK12	BYSTRONIC® NOZZLE Ø1.25 HD	
	L73	3-01912 HK15	BYSTRONIC® NOZZLE Ø 1.5 HD	
	L3073	3-01912 HK15	BYSTRONIC® NOZZLE Ø1.5 HD	
	L122	3-01913 HK17	BYSTRONIC® NOZZLE Ø 1.75 HD	
	L30122	3-01913 HK17	BYSTRONIC® NOZZLE Ø1.75 HD	
	L72X	3-01910 HK10	BYSTRONIC® NOZZLE Ø 1.0 HD CP	
	L3072X	3-01910 HK10	BYSTRONIC® NOZZLE Ø1.0 HD CP	
	L121X	3-01911 HK12	BYSTRONIC® NOZZLE Ø 1.25 HD CP	
	L30121X	3-01911 HK12	BYSTRONIC® NOZZLE Ø1.25 HD CP	
	L73X	3-01912 HK15	BYSTRONIC® NOZZLE Ø 1.5 HD CP	
	L3073X	3-01912 HK15	BYSTRONIC® NOZZLE Ø 1.5 HD CP	
	L122X	3-01913 HK17	BYSTRONIC® NOZZLE Ø 1.75 HD CP	
	L30122X	3-01913 HK17	BYSTRONIC® NOZZLE Ø1.75 HD CP	
2	L123	3-01914 HK20	BYSTRONIC® NOZZLE Ø 2.0 HD	
	L30123	3-01914 HK20	BYSTRONIC® NOZZLE Ø2.0 HD	
	L140	3-03854 HK25	BYSTRONIC® NOZZLE Ø 2.5 HD	
	L30140	3-03854 HK25	BYSTRONIC® NOZZLE Ø2.5 HD	
	L265	3-06112 HK30	BYSTRONIC® NOZZLE Ø 3.0 HD	
	L30265	3-06112 HK30	BYSTRONIC® NOZZLE Ø3.0 HD	
	L700	HK35	BYSTRONIC® NOZZLE Ø 3.5 HD	
	L30700	HK35	BYSTRONIC® NOZZLE Ø3.5 HD	
	L701	HK40	BYSTRONIC® NOZZLE Ø 4.0 HD	
	L30701	HK40	BYSTRONIC® NOZZLE Ø4.0 HD	
	L123X	3-01914 HK20	BYSTRONIC® NOZZLE Ø 2.0 HD CP	
	L30123X	3-01914 HK20	BYSTRONIC® NOZZLE Ø2.0 HD CP	
	L140X	3-03854 HK25	BYSTRONIC® NOZZLE Ø 2.5 HD CP	
	L30140X	3-03854 HK25	BYSTRONIC® NOZZLE Ø2.5 HD CP	
	L265X	3-06112 HK30	BYSTRONIC® NOZZLE Ø 3.0 HD CP	
	L30265X	3-06112 HK30	BYSTRONIC® NOZZLE Ø3.0 HD CP	
	L700X	HK35	BYSTRONIC® NOZZLE Ø 3.5 HD CP	
	L30700X	HK35	BYSTRONIC® NOZZLE Ø 3.5 HD CP	
	L701X	HK40	BYSTRONIC® NOZZLE Ø 4.0 HD CP	
	L30701X	HK40	BYSTRONIC® NOZZLE Ø 4.0 HD CP	

TOLL FREE 888.558.1504 (USA and Canada) T. 724.352.1504 F. 724.352.4980 WWW.IIVIINFRARED.COM

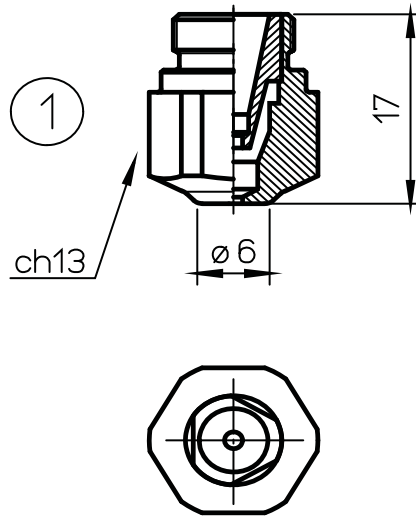
All original equipment manufacturer's names, drawings, colors, trademarks and part numbers are used for identification purposes only and we are in no way implying that any of our products are original equipment parts. All parts advertised for sale in this catalog are made for and/or by II-VI Incorporated.





POS	II-VI P/N	OEM P/N	DESCRIPTION	
1	L83	3-04273 K08	BYSTRONIC® NOZZLE Ø 0.8	
	L3083	3-04273 K08	BYSTRONIC® NOZZLE Ø 0.8	
	L116	3-01905 K10	BYSTRONIC® NOZZLE Ø 1.0	
	L30116	3-01905 K10	BYSTRONIC® NOZZLE Ø1.0	
	L117	3-01906 K12	BYSTRONIC® NOZZLE Ø 1.25	
	L30117	3-01906 K12	BYSTRONIC® NOZZLE Ø 1.25	
	L118	3-01907 K15	BYSTRONIC® NOZZLE Ø 1.5	
	L30118	3-01907 K15	BYSTRONIC® NOZZLE Ø1.5	
	L119	3-01908 K17	BYSTRONIC® NOZZLE Ø 1.75	
	L30119	3-01908 K17	BYSTRONIC® NOZZLE Ø1.75	
	L120	3-01909 K20	BYSTRONIC® NOZZLE Ø 2.0	
	L30120	3-01909 K20	BYSTRONIC® NOZZLE Ø2.0	
	L675	3-04274 K25	BYSTRONIC® NOZZLE Ø 2.5	
	L30675	3-04274 K25	BYSTRONIC® NOZZLE Ø2.5	
	L678	3-04275 K30	BYSTRONIC® NOZZLE Ø 3.0	
	L30678	3-04275 K30	BYSTRONIC® NOZZLE Ø3.0	
	L83X	3-04273 K08	BYSTRONIC® NOZZLE Ø 0.8 CP	
	L3083X	3-04273 K08	BYSTRONIC® NOZZLE Ø0.8 CP	
	L116X	3-01905 K10	BYSTRONIC® NOZZLE Ø 1.0 CP	
	L30116X	3-01905 K10	BYSTRONIC® NOZZLE Ø1.0 CP	
	L117X	3-01906 K12	BYSTRONIC® NOZZLE Ø 1.25 CP	
	L30117X	3-01906 K12	BYSTRONIC® NOZZLE Ø1.25 CP	
	L118X	3-01907 K15	BYSTRONIC® NOZZLE Ø 1.5 CP	
	L30118X	3-01907 K15	BYSTRONIC® NOZZLE Ø1.5 CP	
	L119X	3-01908 K17	BYSTRONIC® NOZZLE Ø 1.75 CP	
	L30119X	3-01908 K17	BYSTRONIC® NOZZLE Ø1.75 CP	
	L120X	3-01909 K20	BYSTRONIC® NOZZLE Ø 2.0 CP	
	L30120X	3-01909 K20	BYSTRONIC® NOZZLE Ø2.0 CP	
	L675X	3-04274 K25	BYSTRONIC® NOZZLE Ø 2.5 CP	
	L30675X	3-04274 K25	BYSTRONIC® NOZZLE Ø2.5 CP	
	L678X	3-04275 K30	BYSTRONIC® NOZZLE Ø 3.0 CP	
L30678X	3-04275 K30	BYSTRONIC® NOZZLE Ø3.0 CP		

CP = CHROME PLATED

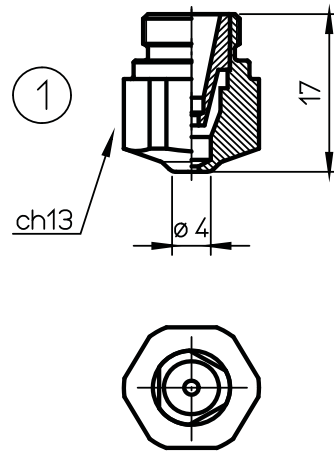




POS	II-VI P/N	OEM P/N	DESCRIPTION	
1	L1363	3-16058 NK10 - 15	BYSTRONIC® DOUBLE NOZZLE Ø 1.0	
	L301363	3-16058 NK10 - 15	BYSTRONIC® DOUBLE NOZZLE Ø 1.0	
	L1364	3-16059 NK12- 15	BYSTRONIC® DOUBLE NOZZLE Ø 1.25	
	L301364	3-16059 NK12- 15	BYSTRONIC® DOUBLE NOZZLE Ø 1.25	
	L1365	3-16060 NK15- 15	BYSTRONIC® DOUBLE NOZZLE Ø 1.5	
	L301365	3-16060 NK15- 15	BYSTRONIC® DOUBLE NOZZLE Ø 1.5	
	L1366	3-14317 NK17 - 15	BYSTRONIC® DOUBLE NOZZLE Ø 1.75	
	L301366	3-14317 NK17 - 15	BYSTRONIC® DOUBLE NOZZLE Ø 1.75	
	L604	3-14318 NK20 - 15	BYSTRONIC® DOUBLE NOZZLE Ø 2.0	
	L30604	3-14318 NK20 - 15	BYSTRONIC® DOUBLE NOZZLE Ø 2.0	
	L605	3-14319 NK25 - 15	BYSTRONIC® DOUBLE NOZZLE Ø 2.5	
	L30605	3-14319 NK25 - 15	BYSTRONIC® DOUBLE NOZZLE Ø 2.5	
	L612	3-16256 NK25 - 20	BYSTRONIC® DOUBLE NOZZLE Ø 2.5	
	L30612	3-16256 NK25 - 20	BYSTRONIC® DOUBLE NOZZLE Ø 2.5	
	L613	3-16061 NK30 - 17	BYSTRONIC® DOUBLE NOZZLE Ø 3.0	
	L30613	3-16061 NK30 - 17	BYSTRONIC® DOUBLE NOZZLE Ø 3.0	
	L606	3-16257 NK30 - 20	BYSTRONIC® DOUBLE NOZZLE Ø 3.0	
	L30606	3-16257 NK30 - 20	BYSTRONIC® DOUBLE NOZZLE Ø 3.0	
	L607	NK35-30	BYSTRONIC® DOUBLE NOZZLE Ø 3.5	
	L30607	NK35-30	BYSTRONIC® DOUBLE NOZZLE Ø 3.5	
	L1363X	3-16058 NK10 - 15	BYSTRONIC® DOUBLE NOZZLE Ø 1.0 CP	
	L301363X	3-16058 NK10 - 15	BYSTRONIC® DOUBLE NOZZLE Ø 1.0 CP	
	L1364X	3-16059 NK12- 15	BYSTRONIC® DOUBLE NOZZLE Ø 1.25 CP	
	L301364X	3-16059 NK12- 15	BYSTRONIC® DOUBLE NOZZLE Ø 1.25 CP	
	L1365X	3-16060 NK15- 15	BYSTRONIC® DOUBLE NOZZLE Ø 1.5 CP	
	L301365X	3-16060 NK15- 15	BYSTRONIC® DOUBLE NOZZLE Ø 1.5 CP	
	L1366X	3-14317 NK17 - 15	BYSTRONIC® DOUBLE NOZZLE Ø 1.75 CP	
	L301366X	3-14317 NK17 - 15	BYSTRONIC® DOUBLE NOZZLE Ø 1.75 CP	
	L604X	3-14318 NK20 - 15	BYSTRONIC® DOUBLE NOZZLE Ø 2.0 CP	
	L30604X	3-14318 NK20 - 15	BYSTRONIC® DOUBLE NOZZLE Ø 2.0 CP	
	L605X	3-14319 NK25 - 15	BYSTRONIC® DOUBLE NOZZLE Ø 2.5 CP	
	L30605X	3-14319 NK25 - 15	BYSTRONIC® DOUBLE NOZZLE Ø 2.5 CP	
L612X	3-16256 NK25 - 20	BYSTRONIC® DOUBLE NOZZLE Ø 2.5 CP		
L30612X	3-16256 NK25 - 20	BYSTRONIC® DOUBLE NOZZLE Ø 2.5 CP		
L613X	3-16061 NK30 - 17	BYSTRONIC® DOUBLE NOZZLE Ø 3.0 CP		
L30613X	3-16061 NK30 - 17	BYSTRONIC® DOUBLE NOZZLE Ø 3.0 CP		
L606X	3-16257 NK30 - 20	BYSTRONIC® DOUBLE NOZZLE Ø 3.0 CP		
L30606X	3-16257 NK30 - 20	BYSTRONIC® DOUBLE NOZZLE Ø 3.0 CP		
L607X	NK35-30BYSTRONIC®	DOUBLE NOZZLE Ø 3.5 CP		
L30607X	NK35-30BYSTRONIC®	DOUBLE NOZZLE Ø 3.5 CP		

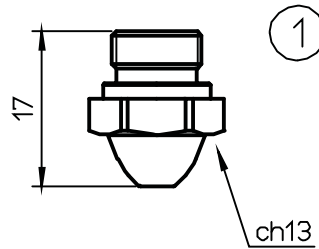
TOLL FREE 888.558.1504 (USA and Canada) T. 724.352.1504 F. 724.352.4980 WWW.II-VIINFRARED.COM

All original equipment manufacturer's names, drawings, colors, trademarks and part numbers are used for identification purposes only and we are in no way implying that any of our products are original equipment parts. All parts advertised for sale in this catalog are made for and/or by II-VI Incorporated.





POS	II-VI P/N	OEM P/N	DESCRIPTION
1	L600	3-16058 NK10 - 15	BYSTRONIC® DOUBLE NOZZLE Ø 1.0
	L30600	3-16058 NK10 - 15	BYSTRONIC® DOUBLE NOZZLE Ø 1.0
	L601	3-16059 NK12 - 15	BYSTRONIC® DOUBLE NOZZLE Ø 1.25
	L30601	3-16059 NK12 - 15	BYSTRONIC® DOUBLE NOZZLE Ø 1.25
	L602	3-16060 NK15 - 15	BYSTRONIC® DOUBLE NOZZLE Ø 1.5
	L30602	3-16060 NK15 - 15	BYSTRONIC® DOUBLE NOZZLE Ø 1.5
	L603	3-14317 NK17 - 15	BYSTRONIC® DOUBLE NOZZLE Ø 1.75
	L30603	3-14317 NK17 - 15	BYSTRONIC® DOUBLE NOZZLE Ø 1.75
	L600X	3-16058 NK10 - 15	BYSTRONIC® DOUBLE NOZZLE Ø 1.0 CP
	L30600X	3-16058 NK10 - 15	BYSTRONIC® DOUBLE NOZZLE Ø 1.0 CP
	L601X	3-16059 NK12 - 15	BYSTRONIC® DOUBLE NOZZLE Ø 1.25 CP
	L30601X	3-16059 NK12 - 15	BYSTRONIC® DOUBLE NOZZLE Ø 1.25 CP
	L602X	3-16060 NK15 - 15	BYSTRONIC® DOUBLE NOZZLE Ø 1.5 CP
	L30602X	3-16060 NK15 - 15	BYSTRONIC® DOUBLE NOZZLE Ø 1.5 CP
	L603X	3-14317 NK17 - 15	BYSTRONIC® DOUBLE NOZZLE Ø 1.75 CP
	L30603X	3-14317 NK17 - 15	BYSTRONIC® DOUBLE NOZZLE Ø 1.75 CP
	L604	3-14318 NK20 - 15	BYSTRONIC® DOUBLE NOZZLE Ø 2.0
	L30604	3-14318 NK20 - 15	BYSTRONIC® DOUBLE NOZZLE Ø 2.0
	L604	3-14318 NK20 - 15	BYSTRONIC® DOUBLE NOZZLE Ø 2.0
L30604	3-14318 NK20 - 15	BYSTRONIC® DOUBLE NOZZLE Ø 2.0	

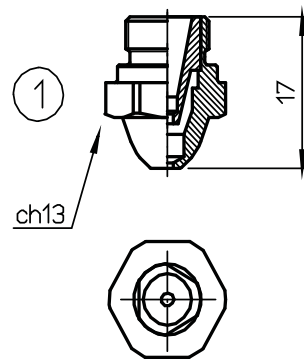




POS	II-VI P/N	OEM P/N	DESCRIPTION
1	L82	3-04271 08	BYSTRONIC® NOZZLE Ø 0.8
	L3082	3-04271 08	BYSTRONIC® NOZZLE Ø 0.8
	L98	3-01894 10	BYSTRONIC® NOZZLE Ø 1.0
	L3098	3-01894 10	BYSTRONIC® NOZZLE Ø 1.0
	L99	3-01895 12	BYSTRONIC® NOZZLE Ø 1.25
	L3099	3-01895 12	BYSTRONIC® NOZZLE Ø 1.25
	L100	3-01896 15	BYSTRONIC® NOZZLE Ø 1.5
	L30100	3-01896 15	BYSTRONIC® NOZZLE Ø 1.5
	L101	3-01897 17	BYSTRONIC® NOZZLE Ø 1.75
	L30101	3-01897 17	BYSTRONIC® NOZZLE Ø 1.75
	L102	3-01898 20	BYSTRONIC® NOZZLE Ø 2.0
	L30102	3-01898 20	BYSTRONIC® NOZZLE Ø 2.0
	L676	3-04272 25	BYSTRONIC® NOZZLE Ø 2.5
	L30676	3-04272 25	BYSTRONIC® NOZZLE Ø 2.5
	L673	3-04275 H08	BYSTRONIC® NOZZLE Ø 0.8 HD
	L30673	3-04275 H08	BYSTRONIC® NOZZLE Ø 0.8 HD
	L88	3-01899 H10	BYSTRONIC® NOZZLE Ø 1.0 HD
	L3088	3-01899 H10	BYSTRONIC® NOZZLE Ø 1.0 HD
	L103	3-01900 H12	BYSTRONIC® NOZZLE Ø 1.25 HD
	L30103	3-01900 H12	BYSTRONIC® NOZZLE Ø 1.25 HD
	L104	3-01901 H15	BYSTRONIC® NOZZLE Ø 1.5 HD
	L30104	3-01901 H15	BYSTRONIC® NOZZLE Ø 1.5 HD
	L105	3-01902 H17	BYSTRONIC® NOZZLE Ø 1.75 HD
	L30105	3-01902 H17	BYSTRONIC® NOZZLE Ø 1.75 HD
	L106	3-01903 H20	BYSTRONIC® NOZZLE Ø 2.0 HD
	L30106	3-01903 H20	BYSTRONIC® NOZZLE Ø 2.0 HD
	L677	3-04276 H25	BYSTRONIC® NOZZLE Ø 2.5 HD
	L30677	3-04276 H25	BYSTRONIC® NOZZLE Ø 2.5 HD
	L679	H30	BYSTRONIC® NOZZLE Ø 3.0 HD
	L30679	H30	BYSTRONIC® NOZZLE Ø 3.0 HD
	L88X	3-01899 H10	BYSTRONIC® NOZZLE Ø 1.0 HD CP
	L3088X	3-01899 H10	BYSTRONIC® NOZZLE Ø 1.0 HD CP
	L103X	3-01900 H12	BYSTRONIC® NOZZLE Ø 1.25 HD CP
	L30103X	3-01900 H12	BYSTRONIC® NOZZLE Ø 1.25 HD CP
	L104X	3-01901 H15	BYSTRONIC® NOZZLE Ø 1.5 HD CP
	L30104X	3-01901 H15	BYSTRONIC® NOZZLE Ø 1.5 HD CP
	L105X	3-01902 H17	BYSTRONIC® NOZZLE Ø 1.75 HD CP
	L30105X	3-01902 H17	BYSTRONIC® NOZZLE Ø 1.75 HD CP
	L106X	3-01903 H20	BYSTRONIC® NOZZLE Ø 2.0 HD CP
	L30106X	3-01903 H20	BYSTRONIC® NOZZLE Ø 2.0 HD CP
L677X	3-04276 H25	BYSTRONIC® NOZZLE Ø 2.5 HD CP	
L30677X	3-04276 H25	BYSTRONIC® NOZZLE Ø 2.5 HD CP	
L679X	H30	BYSTRONIC® NOZZLE Ø 3.0 HD CP	
L30679X	H30	BYSTRONIC® NOZZLE Ø 3.0 HD CP	

TOLL FREE 888.558.1504 (USA and Canada) T. 724.352.1504 F. 724.352.4980 WWW.IIVIINFRARED.COM

All original equipment manufacturer's names, drawings, colors, trademarks and part numbers are used for identification purposes only and we are in no way implying that any of our products are original equipment parts. All parts advertised for sale in this catalog are made for and/or by II-VI Incorporated.

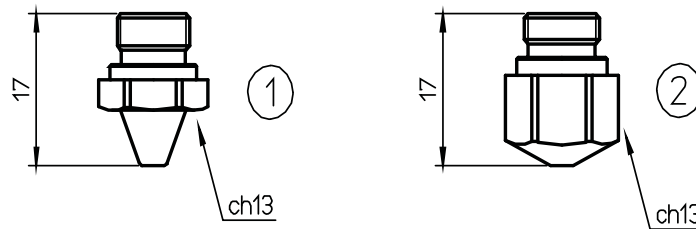




POS	II-VI P/N	OEM P/N	DESCRIPTION	
1	L1250	N10-15	BYSTRONIC® DOUBLE NOZZLE Ø 1.0	
	L301250	N10-15	BYSTRONIC® DOUBLE NOZZLE Ø 1.0	
	L1251	N12-15	BYSTRONIC® DOUBLE NOZZLE Ø 1.25	
	L301251	N12-15	BYSTRONIC® DOUBLE NOZZLE Ø 1.25	
	L1252	N15-15	BYSTRONIC® DOUBLE NOZZLE Ø 1.5	
	L301252	N15-15	BYSTRONIC® DOUBLE NOZZLE Ø 1.5	
	L1253	N17-15	BYSTRONIC® DOUBLE NOZZLE Ø 1.75	
	L301253	N17-15	BYSTRONIC® DOUBLE NOZZLE Ø 1.75	
	L1254	N20-15	BYSTRONIC® DOUBLE NOZZLE Ø 2.0	
	L301254	N20-15	BYSTRONIC® DOUBLE NOZZLE Ø 2.0	
	L1255	N25-15	BYSTRONIC® DOUBLE NOZZLE Ø 2.5	
	L301255	N25-15	BYSTRONIC® DOUBLE NOZZLE Ø 2.5	
	L1256	N25-20	BYSTRONIC® DOUBLE NOZZLE Ø 2.5	
	L301256	N25-20	BYSTRONIC® DOUBLE NOZZLE Ø 2.5	
	L1257	N30-17	BYSTRONIC® DOUBLE NOZZLE Ø 3.0	
	L301257	N30-17	BYSTRONIC® DOUBLE NOZZLE Ø 3.0	
	L1258	N30-20	BYSTRONIC® DOUBLE NOZZLE Ø 3.0	
	L301258	N30-20	BYSTRONIC® DOUBLE NOZZLE Ø 3.0	
	L1250X	N10-15	BYSTRONIC® DOUBLE NOZZLE Ø 1.0 CP	
	L301250X	N10-15	BYSTRONIC® DOUBLE NOZZLE Ø 1.0 CP	
	L1251X	N12-15	BYSTRONIC® DOUBLE NOZZLE Ø 1.25 CP	
	L301251X	N12-15	BYSTRONIC® DOUBLE NOZZLE Ø 1.25 CP	
	L1252X	N15-15	BYSTRONIC® DOUBLE NOZZLE Ø 1.5 CP	
	L301252X	N15-15	BYSTRONIC® DOUBLE NOZZLE Ø 1.5 CP	
	L1253X	N17-15	BYSTRONIC® DOUBLE NOZZLE Ø 1.75 CP	
	L301253X	N17-15	BYSTRONIC® DOUBLE NOZZLE Ø 1.75 CP	
	L1254X	N20-15	BYSTRONIC® DOUBLE NOZZLE Ø 2.0 CP	
	L301254X	N20-15	BYSTRONIC® DOUBLE NOZZLE Ø 2.0 CP	
	L1255X	N25-15	BYSTRONIC® DOUBLE NOZZLE Ø 2.5 CP	
	L301255X	N25-15	BYSTRONIC® DOUBLE NOZZLE Ø 2.5 CP	
	L1256X	N25-20	BYSTRONIC® DOUBLE NOZZLE Ø 2.5 CP	
	L301256X	N25-20	BYSTRONIC® DOUBLE NOZZLE Ø 2.5 CP	
L1257X	N30-17	BYSTRONIC® DOUBLE NOZZLE Ø 3.0 CP		
L301257X	N30-17	BYSTRONIC® DOUBLE NOZZLE Ø 3.0 CP		
L1258X	N30-20	BYSTRONIC® DOUBLE NOZZLE Ø 3.0 CP		
L301258X	N30-20	BYSTRONIC® DOUBLE NOZZLE Ø 3.0 CP		

TOLL FREE 888.558.1504 (USA and Canada) T. 724.352.1504 F. 724.352.4980 WWW.IIVIINFRARED.COM

All original equipment manufacturer's names, drawings, colors, trademarks and part numbers are used for identification purposes only and we are in no way implying that any of our products are original equipment parts. All parts advertised for sale in this catalog are made for and/or by II-VI Incorporated.

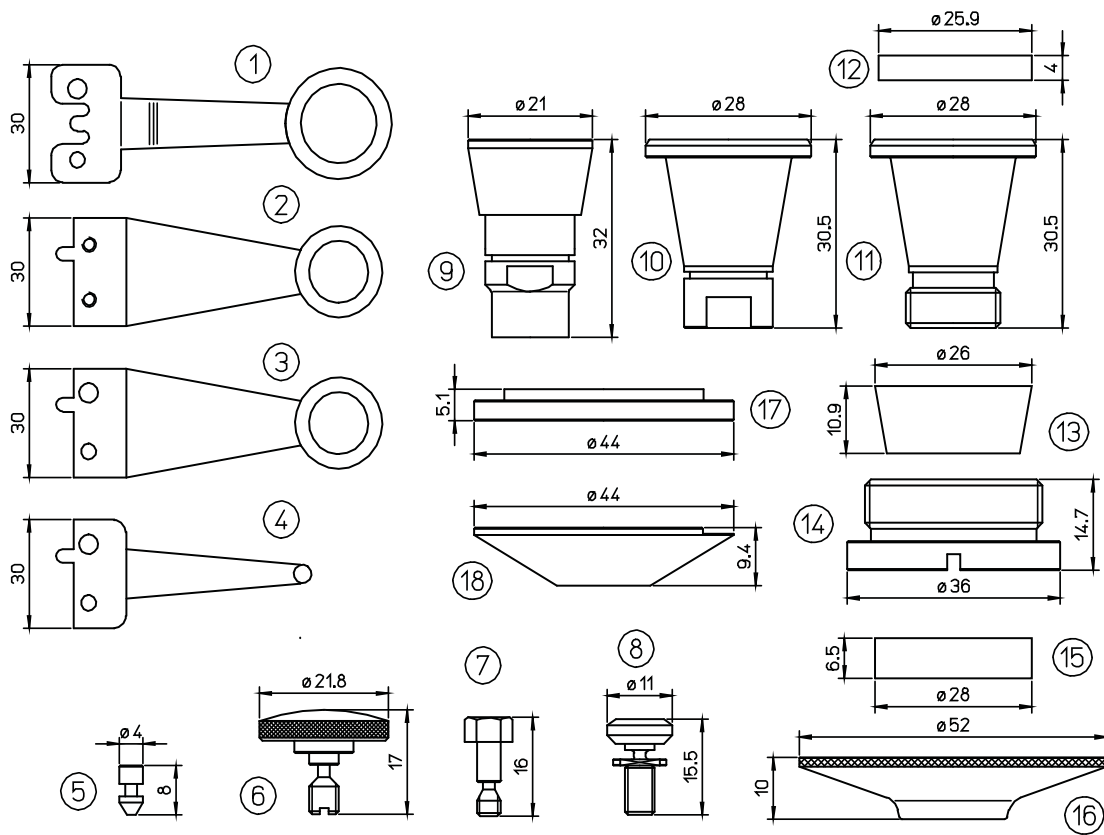




POS	II-VI P/N	OEM P/N	DESCRIPTION
1	L22	3-04271 08	BYSTRONIC® NOZZLE Ø 0.8
	L3022	3-04271 08	BYSTRONIC® NOZZLE Ø 0.8
	L14	3-01894 10	BYSTRONIC® NOZZLE Ø 1.0
	L3014	3-01894 10	BYSTRONIC® NOZZLE Ø 1.0
	L41	3-01895 12	BYSTRONIC® NOZZLE Ø 1.25
	L3041	3-01895 12	BYSTRONIC® NOZZLE Ø 1.25
	L17	3-01896 15	BYSTRONIC® NOZZLE Ø 1.5
	L3017	3-01896 15	BYSTRONIC® NOZZLE Ø 1.5
	L42	3-01897 17	BYSTRONIC® NOZZLE Ø 1.75
	L3042	3-01897 17	BYSTRONIC® NOZZLE Ø 1.75
	L33	3-01898 20	BYSTRONIC® NOZZLE Ø 2.0
	L3033	3-01898 20	BYSTRONIC® NOZZLE Ø 2.0
	L43	3-01899 H10	BYSTRONIC® NOZZLE Ø 1.0 HD
	L3043	3-01899 H10	BYSTRONIC® NOZZLE Ø 1.0 HD
	L16	3-01900 H12	BYSTRONIC® NOZZLE Ø 1.25 HD
	L3016	3-01900 H12	BYSTRONIC® NOZZLE Ø 1.25 HD
	L44	3-01901 H15	BYSTRONIC® NOZZLE Ø 1.5 HD
	L3044	3-01901 H15	BYSTRONIC® NOZZLE Ø 1.5 HD
	L45	3-01902 H17	BYSTRONIC® NOZZLE Ø 1.75 HD
	L3045	3-01902 H17	BYSTRONIC® NOZZLE Ø 1.75 HD
L46	3-01903 H20	BYSTRONIC® NOZZLE Ø 2.0 HD	
L3046	3-01903 H20	BYSTRONIC® NOZZLE Ø 2.0 HD	
2	L71	3-04273 K08	BYSTRONIC® NOZZLE Ø 0.8
	L3071	3-04273 K08	BYSTRONIC® NOZZLE Ø 0.8
	L107	3-01905 K10	BYSTRONIC® NOZZLE Ø 1.0
	L30107	3-01905 K10	BYSTRONIC® NOZZLE Ø 1.0
	L108	3-01906 K12	BYSTRONIC® NOZZLE Ø 1.25
	L30108	3-01906 K12	BYSTRONIC® NOZZLE Ø 1.25
	L109	3-01907 K15	BYSTRONIC® NOZZLE Ø 1.5
	L30109	3-01907 K15	BYSTRONIC® NOZZLE Ø 1.5
	L110	3-01908 K17	BYSTRONIC® NOZZLE Ø 1.75
	L30110	3-01908 K17	BYSTRONIC® NOZZLE Ø 1.75
	L111	3-01909 K20	BYSTRONIC® NOZZLE Ø 2.0
	L30111	3-01909 K20	BYSTRONIC® NOZZLE Ø 2.0
	L89	3-01910 HK10	BYSTRONIC® NOZZLE Ø 1.0 HD
	L3089	3-01910 HK10	BYSTRONIC® NOZZLE Ø 1.0 HD
	L112	3-01911 HK12	BYSTRONIC® NOZZLE Ø 1.25 HD
	L30112	3-01911 HK12	BYSTRONIC® NOZZLE Ø 1.25 HD
	L113	3-01912 HK15	BYSTRONIC® NOZZLE Ø 1.5 HD
	L30113	3-01912 HK15	BYSTRONIC® NOZZLE Ø 1.5 HD
	L114	3-01913 HK17	BYSTRONIC® NOZZLE Ø 1.75 HD
	L30114	3-01913 HK17	BYSTRONIC® NOZZLE Ø 1.75 HD
L115	3-01914 HK20	BYSTRONIC® NOZZLE Ø 2.0 HD	
L30115	3-01914 HK20	BYSTRONIC® NOZZLE Ø 2.0 HD	

TOLL FREE 888.558.1504 (USA and Canada) T. 724.352.1504 F. 724.352.4980 WWW.II-VIINFRARED.COM

All original equipment manufacturer's names, drawings, colors, trademarks and part numbers are used for identification purposes only and we are in no way implying that any of our products are original equipment parts. All parts advertised for sale in this catalog are made for and/or by II-VI Incorporated.

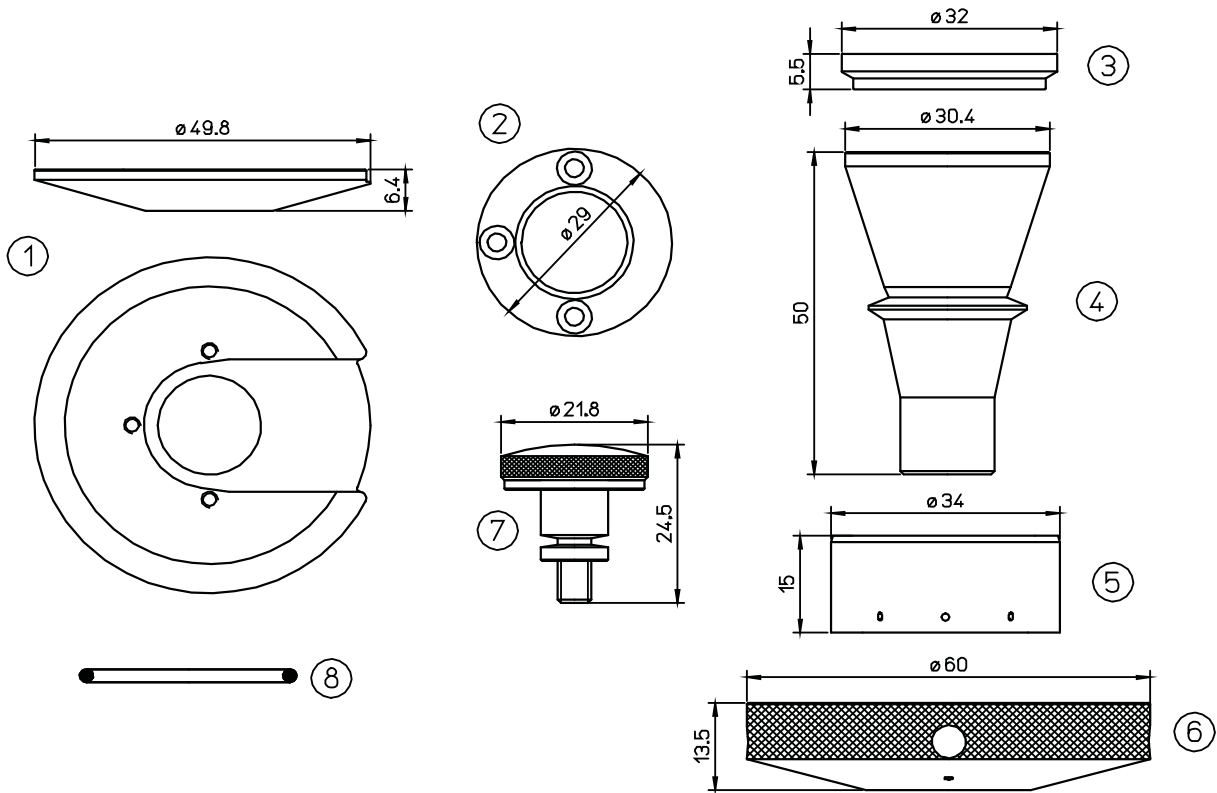


TOLL FREE 888.558.1504 (USA and Canada) T. 724.352.1504 F. 724.352.4980 WWW.II-VIINFRARED.COM

All original equipment manufacturer's names, drawings, colors, trademarks and part numbers are used for identification purposes only and we are in no way implying that any of our products are original equipment parts. All parts advertised for sale in this catalog are made for and/or by II-VI Incorporated.



POS	II-VI P/N	OEM P/N	DESCRIPTION
1	AL26	3-05530	BYSTRONIC® SCANNER
2	AL5	2-01262	BYSTRONIC® SCANNER
3	AL252	2-02015	BYSTRONIC® SCANNER
4	AL251	2-02016	BYSTRONIC® BALL SCANNER
5	AL24	4-03137	BYSTRONIC® PIN
6	AL25	4-03136	BYSTRONIC® KNURLED SCREW - BRASS
7	AL1	4-00324	BYSTRONIC® KNURLED SCREW
8	AL208	3-09001	BYSTRONIC® SCREW FOR CROSS-JET
9	AL188	3-02291	BYSTRONIC® NOZZLE BODY
10	AL102	3-05497	BYSTRONIC® COPPER NOZZLE BODY
11	AL172	2-08701	BYSTRONIC® NOZZLE BODY
12	AL125	4-01642	BYSTRONIC® CERAMIC INSULATING DISC
	AL231	4-01642	BYSTRONIC® CERAMIC INSULATING DISC NEW VERSION
13	AL124	4-01959	BYSTRONIC® CERAMIC CONE
	AL230	4-01959	BYSTRONIC® CERAMIC CONE - NEW VERSION
14	AL174	3-11071	BYSTRONIC® FASTENING NUT
15	AL126	4-09010	BYSTRONIC® CERAMIC INSULATING RING
16	AL173	2-08700	BYSTRONIC® SIGNBOARD
	AL173X	2-08700	BYSTRONIC® SIGNBOARD CP
17	AL206	3-03663-T	BYSTRONIC® TEFLON DISC
18	AL205	3-03663-C	BYSTRONIC® SIGNBOARD
	AL246		BYSTRONIC® SCREW KIT (3 PCS) FOR AL205

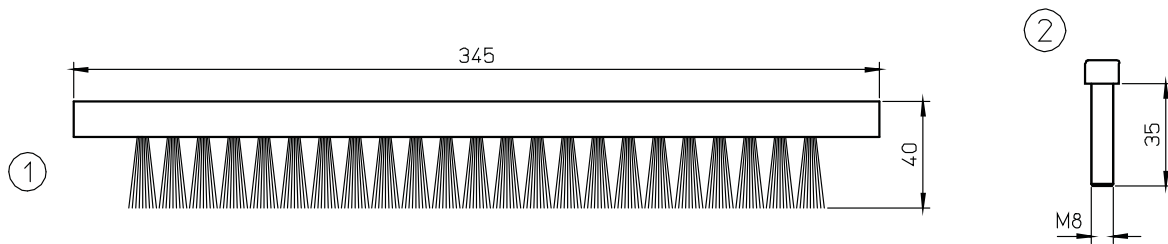


TOLL FREE 888.558.1504 (USA and Canada) T. 724.352.1504 F. 724.352.4980 WWW.IIVIINFRARED.COM

All original equipment manufacturer's names, drawings, colors, trademarks and part numbers are used for identification purposes only and we are in no way implying that any of our products are original equipment parts. All parts advertised for sale in this catalog are made for and/or by II-VI Incorporated.



POS	II-VI P/N	OEM P/N	DESCRIPTION
1	AL222	3-06035	BYSTRONIC® SIGNBOARD COPPER ONLY
	AL245		BYSTRONIC® SCREW KIT (3 PCS) FOR AL222
2	AL120	3-06035-T	BYSTRONIC® DISC TEFLON®
	AL120/P	3-06035-P	BYSTRONIC® DISC LONG LIFE
3	AL215	3-13113	BYSTRONIC® INSULATING RING
4	AL214	2-10837	BYSTRONIC® NOZZLE BODY
5	AL216	3-13422	BYSTRONIC® INSULATING RING WITH HOLES
6	AL258	3-13110	BYSTRONIC® SHIELD COPPER
7	AL209	4-04976	BYSTRONIC® KNURLED SCREW
8	AL225	3141300	BYSTRONIC® O'RING
	AL226	3141122	BYSTRONIC® O'RING
	3140236	3140236	BYSTRONIC® O'RING





POS	II-VI P/N	OEM P/N	DESCRIPTION
1	AL300	2-06511	BYSTRONIC® BRUSH 345x30x20 WITH SCREWS
2	333884	333884	BYSTRONIC®/MAZAK® PLASTIC SCREWS - 2 pcs



FOR ALL OF YOUR REPLACEMENT OPTIC NEEDS

CO₂ LASER OPTICS/CONSUMABLE PRODUCTS
 CO₂ LASER CONSUMABLES
 NOZZLES & ACCESSORIES
 TRUMPF CUT LENSES
 MP-5 ULTRA-LOW ABSORPTION LENSES
 ASPHERIC LENSES
 MENISCUS LENSES
 PLANO-CONVEX LENSES
 CYLINDER LENSES
 MIRRORS
 SCANNING LASER SYSTEM OPTICS
 BEAM COMBINERS
 BEAM EXPANDERS
 BEAMSPLITTERS
 COLLIMATING OPTICS
 DIAMOND-TURNED SPECIALTY OPTICS
 REFLECTIVE PHASE RETARDERS
 PRISMS & RHOMBS
 MODULATORS
 WAVEPLATES
 THIN-FILM POLARIZERS
 POLARIZER-ANALYZER-ATTENUATOR

RESONATOR OPTICS
 OUTPUT COUPLERS
 REAR MIRRORS
 BAND-SELECTIVE OPTICS
 AR-COATED WINDOWS
 BREWSTER WINDOWS
 PROTECTIVE WINDOWS
 LENS STRESS ANALYZER(LSA)
 1 MICRON OPTICS
 1 MICRON OPTICAL COMPONENTS
 1 MICRON DEBRIS SHIELDS
 1 MICRON HPDDL BEAM INTEGRATORS
 1 MICRON OPTICAL COATINGS
 1 MICRON MATERIALS
 OPTICAL MATERIALS
 ZINC SELENIDE (ZNSE)
 ZINC SULFIDE (ZNS)
 ZINC SULFIDE MULTISPECTRAL (ZNS MS)
 GERMANIUM (GE)
 GALLIUM ARSENIDE (GAAS)
 MATERIAL BLANKS
 CVD DIAMOND SUBSTRATES
 IR THERMAL IMAGING OPTICS



TOLL FREE 888.558.1504 (USA and Canada) T. 724.352.1504 F. 724.352.4980 WWW.II-VIINFRARED.COM

All original equipment manufacturer's names, drawings, colors, trademarks and part numbers are used for identification purposes only and we are in no way implying that any of our products are original equipment parts. All parts advertised for sale in this catalog are made for and/or by II-VI Incorporated.

HOW TO ORDER



If you are unsure of what nozzles you need contact our trained staff for assistance. Customers in the USA and Canada can call toll-free: 888.558.1504. Customers outside of the USA and Canada can call: 724.352.1504. Customers in Europe and Asia can also contact a II-VI Subsidiary Office (see back cover for details).

* Catalog revised January 2014 and copyrighted by II-VI Incorporated.

TERMS AND CONDITIONS OF SALE

All orders received by II-VI Incorporated ("II-VI") are expressly conditioned upon the following conditions of sale:

1) Acceptance

Any additional or different terms set forth in any purchase order or other communication from Buyer are objected to and not binding upon II-VI unless and until accepted in writing by an authorized representative of II-VI.

2) Standard Warranty

II-VI warrants to the Buyer of each product of II-VI's own manufacture ("Product") that each Product will be free from defects in materials and workmanship subject to the following conditions:

The obligations of II-VI under this Standard Warranty shall be limited to either, at the option of II-VI: (1) the replacement or repair of any Product upon the shipment of such Product, freight prepaid by Buyer to the II-VI factory; or (2) the provision to Buyer of a credit against future purchases in an amount equal to the purchase price of the defective Product.

IN NO EVENT WILL II-VI BE LIABLE FOR ANY INCIDENTAL OR CONSEQUENTIAL DAMAGES OF BUYER. THE FOREGOING REMEDIES ARE THE SOLE AND EXCLUSIVE REMEDY OF BUYER FOR ANY BREACH OF WARRANTY UNDER THIS CONTRACT.

All claims under this Standard Warranty must be made within ONE (1) YEAR after the date on which the Product was delivered to Buyer. In the case of a replacement or repair of a Product, Buyer shall only ship a defective Product to II-VI after an authorized representative of II-VI has provided a Return Authorization (RA) number for such warranty claim. Returns will be subject to a restocking fee.

With respect to such returns, Buyer is solely responsible for properly packaging any Product to be returned to II-VI under this Standard Warranty. Products must be packaged in their original manufacturer's packaging or equivalent. Products must be packaged in separate shipping containers with Return Authorization (RA) numbers clearly marked on the outside of the shipping containers. If there are questions regarding proper packaging and shipping, contact II-VI for guidelines. II-VI will not be responsible for replacing or repairing any Product damaged while in transit to II-VI due to faulty or deficient packaging.

This Standard Warranty shall be void and shall not apply with respect to any Product which, upon inspection by II-VI, shows evidence of damage as a result of abuse, misuse, mishandling, accidental damage, alteration, negligent handling, or improper installation or application, or as a result of alteration or other causes beyond the control of II-VI.

This Standard Warranty shall not apply to goods or parts included in or supplied with Products; such goods or parts carry only such warranties, if any, as are provided by the manufacturers of such goods or parts, which warranties may be more restrictive than the Standard Warranty provided by II-VI.

With respect to any previously-purchased Product, II-VI shall have no obligation to install updates or upgrades to any components in such Product, even if the exclusion of such updates or upgrades of such components renders such Product obsolete when compared to a new Product of a substantially similar type.

THERE ARE NO WARRANTIES THAT EXTEND BEYOND THE DESCRIPTION CONTAINED HEREIN. THIS WARRANTY VOIDS AND EXCLUDES ANY AND ALL OTHER WARRANTIES OR REPRESENTATIONS, WHETHER EXPRESS OR IMPLIED OR ARISING UNDER ANY LAW, RELATING TO THE GOODS, INCLUDING BUT NOT LIMITED TO WARRANTIES OF MERCHANTABILITY AND/OR FITNESS FOR ANY PARTICULAR PURPOSES.

NO PERSON, FIRM, OR CORPORATION IS AUTHORIZED TO ASSUME ON BEHALF OF II-VI ANY ADDITIONAL OBLIGATION OR LIABILITY NOT EXPRESSLY PROVIDED HEREIN, EXCEPT IN A WRITING DULY EXECUTED BY AN OFFICER OF II-VI.

3) Limitation of Liability

In no event shall II-VI be liable for any incidental or consequential damages. The liability of II-VI on any claim of any kind shall in no event exceed the price of the Product which gives rise to the claim. Except as to title, all such liability shall terminate upon expiration of the warranty period of the Product.

The invalidity of any of the previous paragraphs shall not affect the remainder of this paragraph or any other paragraph in this section.

4) Patent Infringement

Buyer shall hold II-VI harmless against any expense or loss resulting from infringement of patents or trademarks arising from compliance with Buyer's designs or specifications.

5) Delivery and Title

Delivery dates are approximate and are based upon prompt receipt of all necessary information from Buyer. Under no circumstances does II-VI guarantee date of shipment.

Unless otherwise specified by II-VI, shipment will be made and title will pass F.O.B. point of shipment. II-VI shall ship Products as it deems appropriate unless instructed otherwise in writing by Buyer.

6) Risk of Loss

Risk of loss or damage shall pass to Buyer upon shipment. Loss or damage that occurs during shipping by a carrier selected by Buyer is Buyer's responsibility.

7) Uncontrollable Delays

II-VI shall not be liable for delivery delays due to causes beyond its reasonable control including, but not limited to, acts of God, acts of Buyer, acts of military authority, governmental priorities, labor strikes, and transportation delays.

8) Financial Conditions

If II-VI determines in good faith that the financial condition of Buyer at any time does not justify the continuation of production or shipment on the terms of payment originally specified, II-VI may require full or partial payment in advance. In the event of Buyer bankruptcy or insolvency, II-VI shall be entitled to cancel any outstanding order and shall receive reimbursement for its cancellation charges.

9) Payment Terms

Unless terms are specifically set forth on the Order Acknowledgement, Buyer shall pay at such time and such terms as specified in II-VI's original invoice. Any quotations shall be valid for the period stated on the quotation.

10) Cancellation

Buyer may not cancel its order after shipment has been made. Buyer may cancel its order prior to shipment only upon written notice and consent of II-VI. If II-VI consents to any such cancellation, Buyer may be required to pay cancellation charges which include lost profits and all expenses incurred in connection with the cancelled order.

11) Jurisdiction

The validity, performance, and all matters relating to the interpretation and effect of this agreement shall be governed by the laws of the Commonwealth of Pennsylvania.

TOLL FREE 888.558.1504 (USA and Canada) T. 724.352.1504 F. 724.352.4980 WWW.II-VI.INFRARED.COM

All original equipment manufacturer's names, drawings, colors, trademarks and part numbers are used for identification purposes only and we are in no way implying that any of our products are original equipment parts. All parts advertised for sale in this catalog are made for and/or by II-VI Incorporated.



WORLDWIDE SALES OFFICES

To place an order, contact a II-VI sales representative at any of the following locations, or visit www.ii-vi.com/contact for our most complete and up-to-date contact information.

**II-VI INFRARED**

375 SAXONBURG BLVD
SAXONBURG, PA 16056
UNITED STATES
888-558-1504 (Toll free in USA)
T. 724-352-1504
F. 724-352-4980
info@ii-vi.com

II-VI WEST

36570 BRIGGS ROAD
MURRIETA, CA 92563
USA
800.262.5273 (Toll free in USA)
T. 951.926.7640
F. 951.926.1984
info@ii-vi.com

II-VI BENELUX N.V.

BAAIKENSSTRAAT 21/2
B-9240 ZELE
BELGIUM
T. 32 (0) 52 45 86 10
F. 32 (0) 52 45 86 11
sales@ii-vi.be

II-VI DEUTSCHLAND GmbH

BRUNNENWEG 19-21
D-64331 WEITERSTADT
GERMANY
T. 49 6150 54 39-226
F. 49 6150 54 39-200
info@ii-vi.de

II-VI ITALIA S.r.l.

VIA ANDREA COSTA
31-20131 MILANO
ITALY
T. 39 02 2828740
F. 39 02 26149131
info@ii-vi.it

II-VI SUISSE S.a.r.l.

MOULIN-DU-CHOC
1122 ROMANEL-SUR-MORGES
SWITZERLAND
T. 41 2186 902 52
F. 41 2186 993 08
info@ii-vi.ch

II-VI UK LTD.

21 BURLEY ROAD
OAKHAM, RUTLAND
LE15 6DH
UNITED KINGDOM
T. 44 1572 771 778
F. 44 1572 771 779
sales@ii-vi.co.uk

II-VI JAPAN

WBG MARIVE EAST 26F
NAKASE 2-6-1
MIHAMA-KU, CHIBA-SHI
CHIBA 261-7126
JAPAN
T. 81 43297 2693
F. 81 43297 3003
center@ii-vi.co.jp

II-VI SINGAPORE PTE. LTD.

BLK. 5012, TECHPLACE II
#04-07 & 05-07/12,
ANG MO KIO AVE. 5
SINGAPORE 569876
T. 65 6481 8215
F. 65 6481 8702
info@ii-vi.com.sg

II-VI INFRARED LASER(SUZHOU)

BLOCK D#01-01/02
NO. 5 XING HAN STREET
SUZHOU INDUSTRIAL PARK
SUZHOU, CHINA 215101
T. 86 512 6761 9295
F. 86 512 6767 1207
infosz@ii-vi.com.cn

II-VI KOREA

1502 WEST HANSHIN INTERVALLEY
707-34 YEOKSAM, GANGNAM
SEOUL, KOREA 135-731
T. 02-572-3395
F. 02-6499-3395
jchoi@ii-vi.com