

II-VI INFRARED

www.iiviinfrared.com

CO₂ LASER NOZZLES AND ACCESSORIES



mitsubishi®



TOLL FREE 888.558.1504 (USA and Canada)
TEL. 724.352.1504 FAX. 724.352.4980

VOL. NV13



About II-VI INFRARED

In 1971, II-VI Incorporated began by exclusively producing the highest-quality cadmium telluride (CdTe) material available for manufacturing high-power industrial CO₂ laser optics. Today, we have diversified into producing zinc selenide (ZnSe) material, as well as into numerous business units including laser tools for materials processing (HIGHYAG); near-infrared optics, YAG components, and telecommunications components (VLOC); fiber optics, projection and display optics, DPSS laser, crystal materials, and other photonics products (Photop); defense and aerospace optics (Exotic Electro-Optics); tellurium and selenium products (PRM); thermoelectric cooling devices (Marlow Industries); silicon carbide (II-VI WBG); and advanced materials development (II-VI AMDC). Given this diversity of II-VI Incorporated's business units, we have thus christened our original IR materials and optics business unit II-VI Infrared.

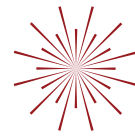
As II-VI Incorporated continues to grow, II-VI Infrared focuses on the company's original, industry-leading products: infrared and CO₂ laser optics and materials. And thanks to decades of innovation in zinc selenide (ZnSe) and zinc sulfide (ZnS) materials processing, thin-film coating, precision diamond turning, and finished optics fabrication, II-VI Infrared is the world leader in CO₂ laser optics, delivering an unbeatable combination of innovation, quality, and expertise. II-VI Infrared also delivers the largest vertically integrated CO₂ laser optics manufacturing process -- from raw materials to finished coated products -- in the world.

An optics foundry to CO₂ laser original equipment manufacturers (OEMs) the world over, consistently building optics to spec with consistent performance and quality, II-VI Infrared's products range from replacement CO₂ laser optics and nozzles to lenses, partial reflectors, windows, beamsplitters, mirrors, beam expanders, reflective phase retarders, scanning-laser system optics, diamond-turned custom optics, IR optical materials (ZnSe, ZnS, CVD Diamond), and more. Our products and reputation make us the number-one supplier to OEMs of CO₂ laser systems worldwide, while our capabilities are without rival in the industry.

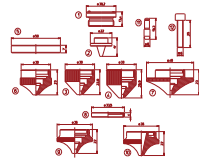
Our diamond-turning facility is among the largest and most advanced in the world, offering services such as flycutting and multiple-axis turning, as well as fast and slow tool servos for custom optics. Single-point diamond-turning is used in finishing transmissive optics and mirrors in a variety of metals and IR materials.

Major investments in computer design programs, thin film evaporation equipment, clean rooms, and QA testing facilities enable us to offer a broad range of IR thin-film coatings. II-VI Infrared is known for designing and producing consistently low-absorption coatings for high-power CO₂ laser optics. Additionally, our talented and experienced engineering team using optical design software and CAD systems, designs and builds standard and custom optics as well as specialized mounts, components, and electro-optic assemblies.

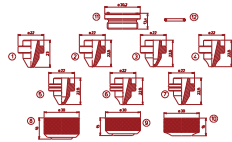
Our quality assurance program includes comprehensive testing, documentation, and statistical analysis to ensure that each optic and component performs to customer requirements.



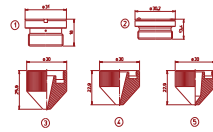
MITSUBISHI[®]
CONTENTS



3-4



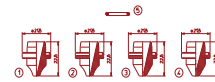
5-6



7-8

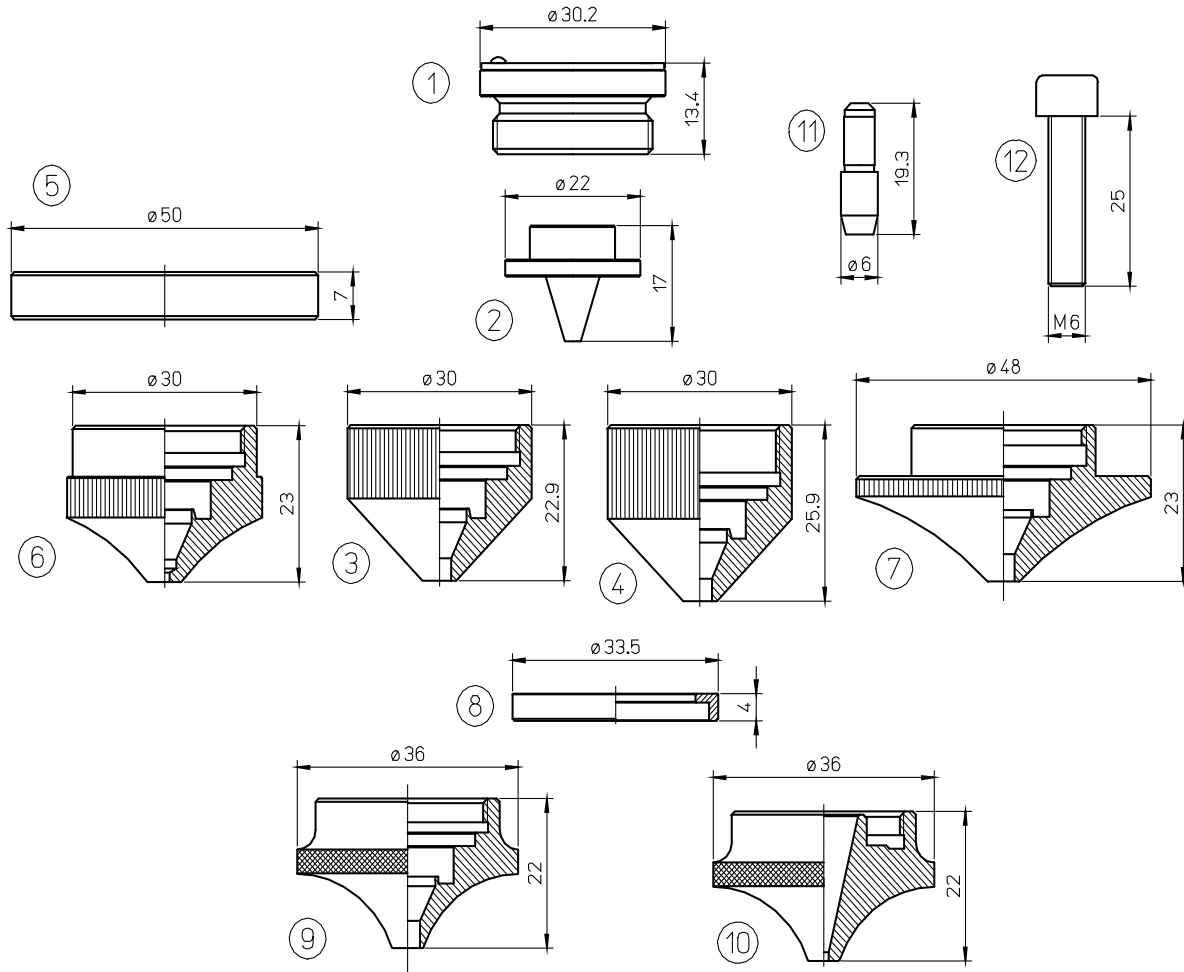


9-10



11-12



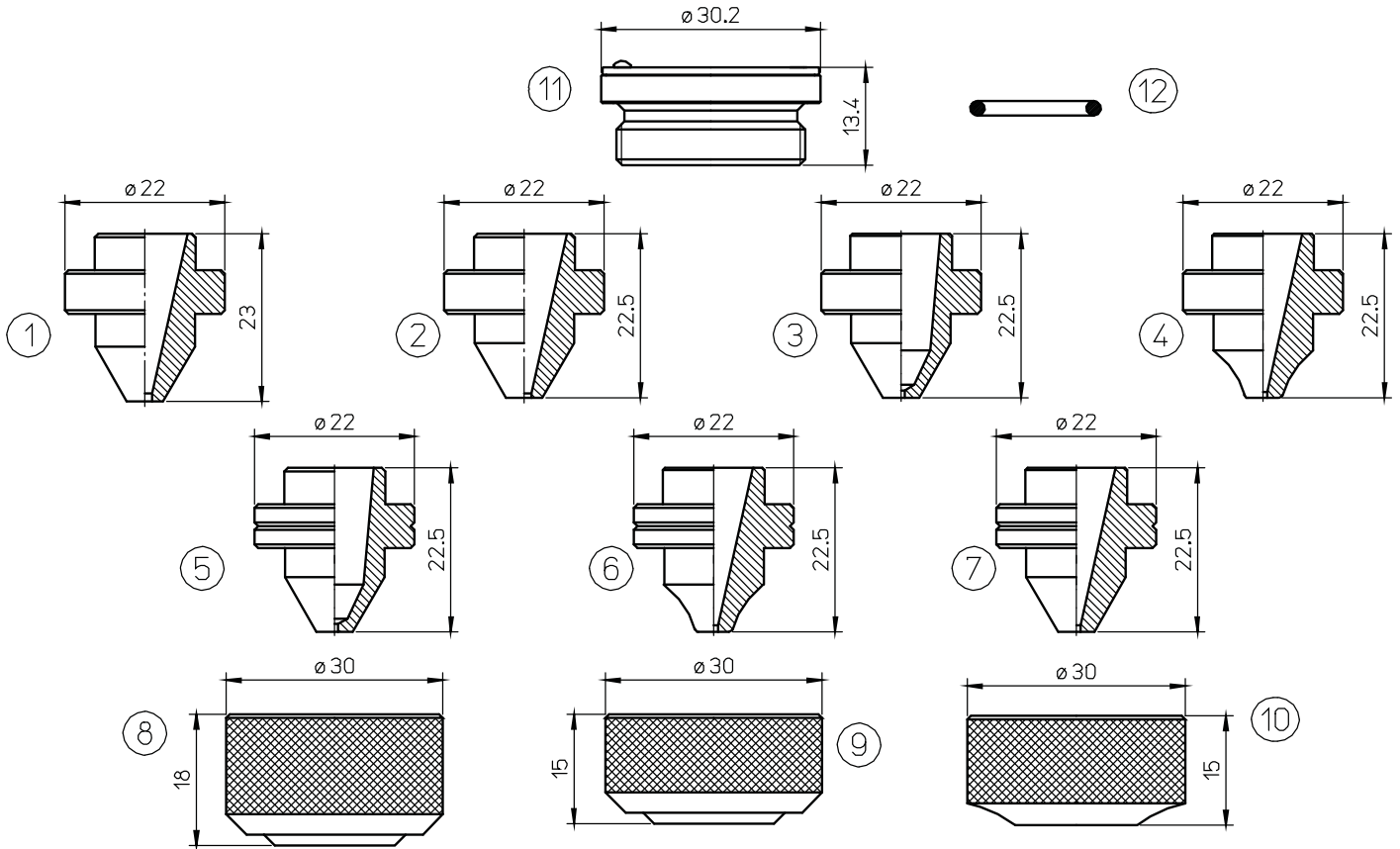


TOLL FREE 888.558.1504 (USA and Canada) T. 724.352.1504 F. 724.352.4980 WWW.IIVIINFRARED.COM

3 All original equipment manufacturer's names, drawings, colors, trademarks and part numbers are used for identification purposes only and we are in no way implying that any of our products are original equipment parts. All parts advertised for sale in this catalog are made for and/or by II-VI Incorporated.



POS	II-VI P/N	OEM P/N	DESCRIPTION
1	AL267	P0594-860-00001	PRECITEC® NOZZLE HOLDER IT HP2" MZP/MEL
2	L288	W390	MITSUBISHI® DOUBLE NOZZLE 4 HOLES
	L835	W270-6	MITSUBISHI® DOUBLE NOZZLE 6 HOLES
	L1119	71800023 - BQ943D156H01/W270-1.5	AMADA® - MITSUBISHI® DOUBLE NOZZLE 8 HOLES Ø 1.5
	L1120		AMADA® - MITSUBISHI® DOUBLE NOZZLE 8 HOLES Ø 2.0
	L289	W387	MITSUBISHI® DOUBLE NOZZLE 12 HOLES
	L290	W388	MITSUBISHI® DOUBLE NOZZLE 16 HOLES
	L836	W389	MITSUBISHI® DOUBLE NOZZLE 20 HOLES
	L291	W515	MITSUBISHI® DOUBLE NOZZLE 24 HOLES
	L1123	71800024 - BQ943D156H03	AMADA® - MITSUBISHI® DOUBLE NOZZLE 24 HOLES Ø 1.5
	L1124		AMADA® - MITSUBISHI® DOUBLE NOZZLE 24 HOLES Ø 2.0
3	AL238X		AMADA® - MITSUBISHI® SHIELD CUP SHORT CP
	AL238	71800027 - BQ933D221H04-P0593-860-00001	AMADA® - MITSUBISHI® SHIELD CUP SHORT
4	AL65X		MITSUBISHI® DOUBLE NOZZLE TIP CP
	AL65	W269	MITSUBISHI® DOUBLE NOZZLE TIP
5	AL297		AMADA® - MITSUBISHI® PLASTIC RING
6	AL302		AMADA® - MITSUBISHI® OUTER NOZZLE Ø 1.7
	AL303		AMADA® - MITSUBISHI® OUTER NOZZLE Ø 2.0
	AL304		AMADA® - MITSUBISHI® OUTER NOZZLE Ø 2.5
	AL305		AMADA® - MITSUBISHI® OUTER NOZZLE Ø 3.0
	AL306		AMADA® - MITSUBISHI® OUTER NOZZLE Ø 4.0
7	AL266	BQ933D044H01-71800101-W18Q93304401	MITSUBISHI® OUTER NOZZLE HIGH SPEED PIERCE
8	AL341-T	71800155TF - BQ023D021H01	AMADA® - MITSUBISHI® TEFLON INSULATION RING
	AL341-A	71800155AL - BQ023D021H01	AMADA® - MITSUBISHI® ALUMINUM INSULATION RING
9	AL270	71802197 - BQ933D044H01	AMADA® - MITSUBISHI® OUTER NOZZLE
10	L1262	7180015400 - BQ023D020H01	AMADA® NOZZLE HIGH SPEED PIERCE Ø 1.7
11	AL345	71800009 - P921K000P25 - JPZA5-6	AMADA® SAFETY PIN
12	AL346	71800008 - L2490A005	AMADA® SAFETY SCREW



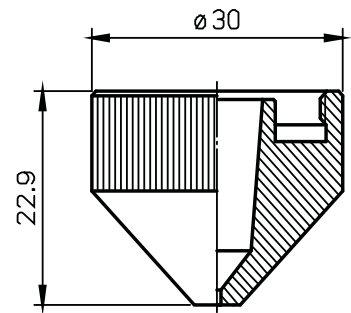
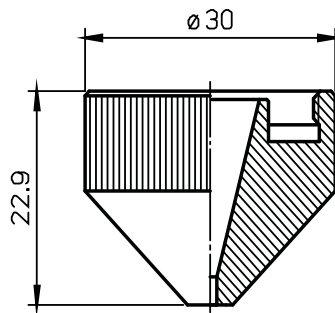
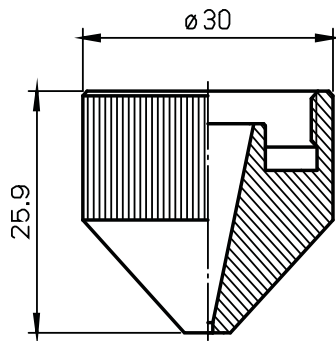
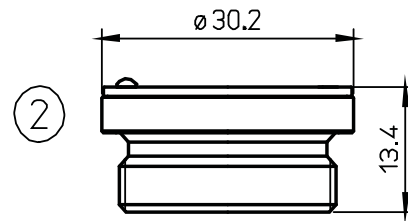
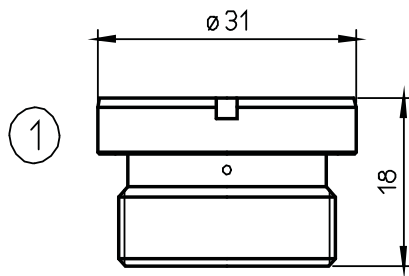
TOLL FREE 888.558.1504 (USA and Canada) T. 724.352.1504 F. 724.352.4980 WWW.II-VIINFRARED.COM



POS	II-VI P/N	OEM P/N	DESCRIPTION
1	L354		MITSUBISHI® NOZZLE Ø 1.0
	L363	W777	MITSUBISHI® NOZZLE Ø 1.2
	L355	W266	MITSUBISHI® NOZZLE Ø 1.5
	L356	W267	MITSUBISHI® NOZZLE Ø 2.0
	L357	W776	MITSUBISHI® NOZZLE Ø 2.5
	L358	W268	MITSUBISHI® NOZZLE Ø 3.0
	L359	W268-3.5	MITSUBISHI® NOZZLE Ø 3.5
2	L1134	71800018 - BQ943D157H01	AMADA® - MITSUBISHI® NOZZLE Ø 1.5
	L1135	71800019 - BQ943D157H02	AMADA® - MITSUBISHI® NOZZLE Ø 2.0
	L1136	71800020 - BQ943D157H03	AMADA® - MITSUBISHI® NOZZLE Ø 2.5
	L1137	71800021 - BQ943D157H04	AMADA® - MITSUBISHI® NOZZLE Ø 3.0
	L1138	71800022 - BQ943D596H01	AMADA® - MITSUBISHI® NOZZLE Ø 3.5
3	L1125	71800016-BQ943D897H01-W18Q94389701	AMADA® - MITSUBISHI® HV NOZZLE Ø 1.0
	L1128	W18Q93309101	AMADA® - MITSUBISHI® HV NOZZLE Ø 2.5
	L1129	W18Q93309102	AMADA® - MITSUBISHI® HV NOZZLE Ø 3.0
4	L1126	71800016A0-BQ933D283H01	AMADA® - MITSUBISHI® NOZZLE Ø 1.0 WITH RADIUS NO GROOVE
5	L965		MITSUBISHI® NOZZLE Ø 1.0
	L966		MITSUBISHI® NOZZLE Ø 1.2
	L967		MITSUBISHI® NOZZLE Ø 1.5
	L964		MITSUBISHI® NOZZLE Ø 1.7
	L968		MITSUBISHI® NOZZLE Ø 2.0
	L969		MITSUBISHI® NOZZLE Ø 2.5
6	L1130	71800017-BQ943D269H01-W18Q93326901	AMADA® - MITSUBISHI® HV NOZZLE Ø 1.2 WITH RADIUS
7	L1132	W18Q93302701	AMADA® - MITSUBISHI® HV NOZZLE Ø 1.7
8	AL116	W263	MITSUBISHI® NOZZLE NUT
9	AL240		MITSUBISHI® NOZZLE NUT SHORT
10	AL269	71800026 - BQ933D94H01	AMADA® - MITSUBISHI® NOZZLE NUT SHORT
11	AL267	P0594-860-00001	PRECITEC® NOZZLE HOLDER IT HP2" MZP/MEL
12	AL388	W290	MITSUBISHI® O-RING

TOLL FREE 888.558.1504 (USA and Canada) T. 724.352.1504 F. 724.352.4980 WWW.IIVIINFRARED.COM

All original equipment manufacturer's names, drawings, colors, trademarks and part numbers are used for identification purposes only and we are in no way implying that any of our products are original equipment parts. All parts advertised for sale in this catalog are made for and/or by II-VI Incorporated.

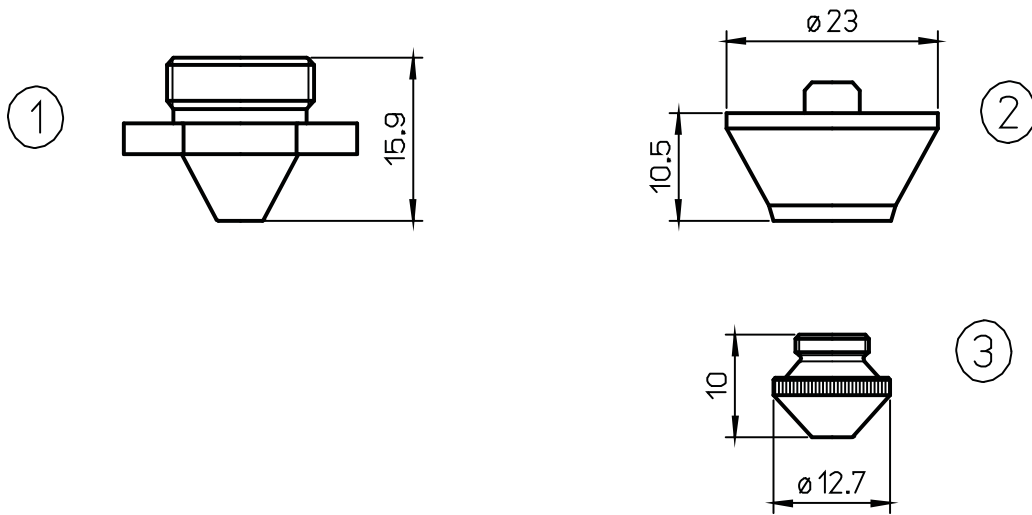




POS	II-VI P/N	OEM P/N	DESCRIPTION
1	AL373	P0461-230-00001 - W830	MITSUBISHI® NOZZLE HOLDER IT461
2	AL267	P0594-860-00001	PRECITEC® NOZZLE HOLDER IT HP2" MZP/MEL
3	L398	W1249	MITSUBISHI® SHIELD NOZZLE Ø 1.0
	L397	W1256	MITSUBISHI® SHIELD NOZZLE Ø 1.2
	L399	W1250	MITSUBISHI® SHIELD NOZZLE Ø 1.5
	L702	W1251	MITSUBISHI® SHIELD NOZZLE Ø 2.0
	L703	W1252	MITSUBISHI® SHIELD NOZZLE Ø 2.5
	L704	W1253	MITSUBISHI® SHIELD NOZZLE Ø 3.0
	L705	W1254	MITSUBISHI® SHIELD NOZZLE Ø 3.5
	L706	W1255	MITSUBISHI® SHIELD NOZZLE Ø 4.0
4	L910	W1626	MITSUBISHI® NOZZLE Ø 1.0
	L911	W1627	MITSUBISHI® NOZZLE Ø 1.2
	L912	W1628	MITSUBISHI® NOZZLE Ø 1.5
	L918	W1661	MITSUBISHI® NOZZLE Ø 1.7
	L913	W1629	MITSUBISHI® NOZZLE Ø 2.0
	L914	W1630	MITSUBISHI® NOZZLE Ø 2.5
	L915	W1664	MITSUBISHI® NOZZLE Ø 3.0
	L916	W1665	MITSUBISHI® NOZZLE Ø 3.5
	L917	W1666	MITSUBISHI® NOZZLE Ø 4.0
	L919	W1663	MITSUBISHI® NOZZLE Ø 5.0
	L910X	W1626	MITSUBISHI® NOZZLE Ø 1.0 CP
	L911X	W1627	MITSUBISHI® NOZZLE Ø 1.2 CP
	L912X	W1628	MITSUBISHI® NOZZLE Ø 1.5 CP
	L918X	W1661	MITSUBISHI® NOZZLE Ø 1.7 CP
	L913X	W1629	MITSUBISHI® NOZZLE Ø 2.0 CP
	L914X	W1630	MITSUBISHI® NOZZLE Ø 2.5 CP
	L915X	W1664	MITSUBISHI® NOZZLE Ø 3.0 CP
	L916X	W1665	MITSUBISHI® NOZZLE Ø 3.5 CP
	L917X	W1666	MITSUBISHI® NOZZLE Ø 4.0 CP
	5	L1078	W1626B
L1079		W1627B	MITSUBISHI® NOZZLE Ø 1.2 LOW PRESSURE
L1080		W1628B	MITSUBISHI® NOZZLE Ø 1.5 LOW PRESSURE
L1081		W1629B	MITSUBISHI® NOZZLE Ø 2.0 LOW PRESSURE
L1082		W1630B	MITSUBISHI® NOZZLE Ø 2.5 LOW PRESSURE
L1083		W1664B	MITSUBISHI® NOZZLE Ø 3.0 LOW PRESSURE
L1084		W1665B	MITSUBISHI® NOZZLE Ø 3.5 LOW PRESSURE
L1085		W1666B	MITSUBISHI® NOZZLE Ø 4.0 LOW PRESSURE

TOLL FREE 888.558.1504 (USA and Canada) T. 724.352.1504 F. 724.352.4980 WWW.IIVIINFRARED.COM

All original equipment manufacturer's names, drawings, colors, trademarks and part numbers are used for identification purposes only and we are in no way implying that any of our products are original equipment parts. All parts advertised for sale in this catalog are made for and/or by II-VI Incorporated.

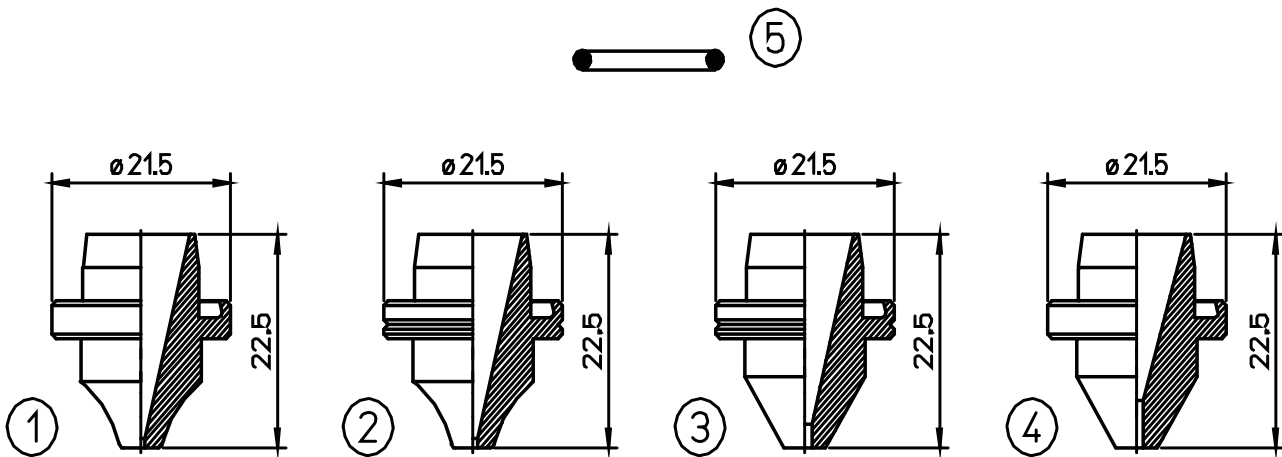




POS	II-VI P/N	OEM P/N	DESCRIPTION
1	L548		MITSUBISHI® NOZZLE Ø 1.0
	L549	W001	MITSUBISHI® NOZZLE Ø 1.5
	L550	W002	MITSUBISHI® NOZZLE Ø 2.0
	L551	W004	MITSUBISHI® NOZZLE Ø 2.5
	L552	W003	MITSUBISHI® NOZZLE Ø 3.0
2	AL138	281079-P0492-430-00003-W149	PRECITEC® ORIG. NOZZLE HOLDER KT M1.5" S F2.5
3	L400	280013-P0492-441-00008	PRECITEC® FP NOZZLE Ø 0.8
	L30400	280013-P0492-441-00008	PRECITEC® FP NOZZLE Ø 0.8
	L401	280014-P0492-442-00010-W223	PRECITEC® FP NOZZLE Ø 1.0
	L30401	280014-P0492-442-00010-W223	PRECITEC® FP NOZZLE Ø 1.0
	L402	280015-P0492-443-00012	PRECITEC® FP NOZZLE Ø 1.2
	L30402	280015-P0492-443-00012	PRECITEC® FP NOZZLE Ø 1.2
	L403	280016-P0492-444-00015-W224	PRECITEC® FP NOZZLE Ø 1.5
	L30403	280016-P0492-444-00015-W224	PRECITEC® FP NOZZLE Ø 1.5
	L543	P0492-447-00018	PRECITEC® FP NOZZLE Ø 1.8
	L30543	P0492-447-00018	PRECITEC® FP NOZZLE Ø 1.8
	L544	280937-P0492-445-00020-W225	PRECITEC® FP NOZZLE Ø 2.0
	L30544	280937-P0492-445-00020-W225	PRECITEC® FP NOZZLE Ø 2.0
	L546	P0492-448-00023	PRECITEC® FP NOZZLE Ø 2.3
	L30546	P0492-448-00023	PRECITEC® FP NOZZLE Ø 2.3
	L545	281791-P0492-446-00025-W226	PRECITEC® FP NOZZLE Ø 2.5
	L30545	281791-P0492-446-00025-W226	PRECITEC® FP NOZZLE Ø 2.5
	L547		PRECITEC® FP NOZZLE Ø 3.0
	L30547		PRECITEC® FP NOZZLE Ø 3.0
	L400X	280013-P0492-441-00008	PRECITEC® FP NOZZLE Ø 0.8 CP
	L30400X	280013-P0492-441-00008	PRECITEC® FP NOZZLE Ø 0.8 CP
	L401X	280014-P0492-442-00010-W223	PRECITEC® FP NOZZLE Ø 1.0 CP
	L30401X	280014-P0492-442-00010-W223	PRECITEC® FP NOZZLE Ø 1.0 CP
	L402X		PRECITEC® FP NOZZLE Ø 1.2 CP
	L30402X		PRECITEC® FP NOZZLE Ø 1.2 CP
	L403X	280016-P0492-444-00015-W224	PRECITEC® FP NOZZLE Ø 1.5 CP
	L30403X	280016-P0492-444-00015-W224	PRECITEC® FP NOZZLE Ø 1.5 CP
	L543X	P0492-447-00018	PRECITEC® FP NOZZLE Ø 1.8 CP
	L30543X	P0492-447-00018	PRECITEC® FP NOZZLE Ø 1.8 CP
	L544X	280937-P0492-445-00020-W225	PRECITEC® FP NOZZLE Ø 2.0 CP
	L30544X	280937-P0492-445-00020-W225	PRECITEC® FP NOZZLE Ø 2.0 CP
	L546X	P0492-448-00023	PRECITEC® FP NOZZLE Ø 2.3 CP
	L30546X	P0492-448-00023	PRECITEC® FP NOZZLE Ø 2.3 CP
	L545X	281791-P0492-446-00025-W226	PRECITEC® FP NOZZLE Ø 2.5 CP
L30545X	281791-P0492-446-00025-W226	PRECITEC® FP NOZZLE Ø 2.5 CP	
L547X		PRECITEC® FP NOZZLE Ø 3.0 CP	
L30547X		PRECITEC® FP NOZZLE Ø 3.0 CP	
	P36015500500	P36015500500	PRECOTEC® CABLE

TOLL FREE 888.558.1504 (USA and Canada) T. 724.352.1504 F. 724.352.4980 WWW.IIVIINFRARED.COM

All original equipment manufacturer's names, drawings, colors, trademarks and part numbers are used for identification purposes only and we are in no way implying that any of our products are original equipment parts. All parts advertised for sale in this catalog are made for and/or by II-VI Incorporated.





POS	II-VI P/N	OEM P/N	DESCRIPTION
1	L1620	BQ983D150-H01	MITSUBISHI® NOZZLE Ø 1.0
	L1633	BQ983D314-H01	MITSUBISHI® NOZZLE Ø 1.4
2	L1621	BQ983D151-H01	MITSUBISHI® NOZZLE Ø 1.2
3	L1622	BQ983D152-H01	MITSUBISHI® NOZZLE Ø 1.7
4	L1623	BQ983D153-H01	MITSUBISHI® NOZZLE Ø 1.5
	L1624	BQ983D153-H02	MITSUBISHI® NOZZLE Ø 2.0
	L1625	BQ983D153-H03	MITSUBISHI® NOZZLE Ø 2.5
	L1626	BQ983D153-H04	MITSUBISHI® NOZZLE Ø 3.0
	L1627	BQ983D153-H05	MITSUBISHI® NOZZLE Ø 3.5
5	AL393		MITSUBISHI® O-RING FOR NOZZLE
	AL388	O-RING	



FOR ALL OF YOUR REPLACEMENT OPTIC NEEDS

CO₂ LASER OPTICS/CONSUMABLE PRODUCTS
 CO₂ LASER CONSUMABLES
 NOZZLES & ACCESSORIES
 TRUMPF CUT LENSES
 MP-5 ULTRA-LOW ABSORPTION LENSES
 ASPHERIC LENSES
 MENISCUS LENSES
 PLANO-CONVEX LENSES
 CYLINDER LENSES
 MIRRORS
 SCANNING LASER SYSTEM OPTICS
 BEAM COMBINERS
 BEAM EXPANDERS
 BEAMSPLITTERS
 COLLIMATING OPTICS
 DIAMOND-TURNED SPECIALTY OPTICS
 REFLECTIVE PHASE RETARDERS
 PRISMS & RHOMBS
 MODULATORS
 WAVEPLATES
 THIN-FILM POLARIZERS
 POLARIZER-ANALYZER-ATTENUATOR

RESONATOR OPTICS
 OUTPUT COUPLERS
 REAR MIRRORS
 BAND-SELECTIVE OPTICS
 AR-COATED WINDOWS
 BREWSTER WINDOWS
 PROTECTIVE WINDOWS
 LENS STRESS ANALYZER(LSA)
 1 MICRON OPTICS
 1 MICRON OPTICAL COMPONENTS
 1 MICRON DEBRIS SHIELDS
 1 MICRON HPDDL BEAM INTEGRATORS
 1 MICRON OPTICAL COATINGS
 1 MICRON MATERIALS
 OPTICAL MATERIALS
 ZINC SELENIDE (ZNSE)
 ZINC SULFIDE (ZNS)
 ZINC SULFIDE MULTISPECTRAL (ZNS MS)
 GERMANIUM (GE)
 GALLIUM ARSENIDE (GAAS)
 MATERIAL BLANKS
 CVD DIAMOND SUBSTRATES
 IR THERMAL IMAGING OPTICS



TOLL FREE 888.558.1504 (USA and Canada) T. 724.352.1504 F. 724.352.4980 WWW.II-VIINFRARED.COM

All original equipment manufacturer's names, drawings, colors, trademarks and part numbers are used for identification purposes only and we are in no way implying that any of our products are original equipment parts. All parts advertised for sale in this catalog are made for and/or by II-VI Incorporated.

HOW TO ORDER



If you are unsure of what nozzles you need contact our trained staff for assistance. Customers in the USA and Canada can call toll-free: 888.558.1504. Customers outside of the USA and Canada can call: 724.352.1504. Customers in Europe and Asia can also contact a II-VI Subsidiary Office (see back cover for details).

* Catalog revised November 2013 and copyrighted by II-VI Incorporated.

TERMS AND CONDITIONS OF SALE

All orders received by II-VI Incorporated ("II-VI") are expressly conditioned upon the following conditions of sale:

1) Acceptance

Any additional or different terms set forth in any purchase order or other communication from Buyer are objected to and not binding upon II-VI unless and until accepted in writing by an authorized representative of II-VI.

2) Standard Warranty

II-VI warrants to the Buyer of each product of II-VI's own manufacture ("Product") that each Product will be free from defects in materials and workmanship subject to the following conditions:

The obligations of II-VI under this Standard Warranty shall be limited to either, at the option of II-VI: (1) the replacement or repair of any Product upon the shipment of such Product, freight prepaid by Buyer to the II-VI factory; or (2) the provision to Buyer of a credit against future purchases in an amount equal to the purchase price of the defective Product.

IN NO EVENT WILL II-VI BE LIABLE FOR ANY INCIDENTAL OR CONSEQUENTIAL DAMAGES OF BUYER. THE FOREGOING REMEDIES ARE THE SOLE AND EXCLUSIVE REMEDY OF BUYER FOR ANY BREACH OF WARRANTY UNDER THIS CONTRACT.

All claims under this Standard Warranty must be made within ONE (1) YEAR after the date on which the Product was delivered to Buyer. In the case of a replacement or repair of a Product, Buyer shall only ship a defective Product to II-VI after an authorized representative of II-VI has provided a Return Authorization (RA) number for such warranty claim. Returns will be subject to a restocking fee.

With respect to such returns, Buyer is solely responsible for properly packaging any Product to be returned to II-VI under this Standard Warranty. Products must be packaged in their original manufacturer's packaging or equivalent. Products must be packaged in separate shipping containers with Return Authorization (RA) numbers clearly marked on the outside of the shipping containers. If there are questions regarding proper packaging and shipping, contact II-VI for guidelines. II-VI will not be responsible for replacing or repairing any Product damaged while in transit to II-VI due to faulty or deficient packaging.

This Standard Warranty shall be void and shall not apply with respect to any Product which, upon inspection by II-VI, shows evidence of damage as a result of abuse, misuse, mishandling, accidental damage, alteration, negligent handling, or improper installation or application, or as a result of alteration or other causes beyond the control of II-VI.

This Standard Warranty shall not apply to goods or parts included in or supplied with Products; such goods or parts carry only such warranties, if any, as are provided by the manufacturers of such goods or parts, which warranties may be more restrictive than the Standard Warranty provided by II-VI.

With respect to any previously-purchased Product, II-VI shall have no obligation to install updates or upgrades to any components in such Product, even if the exclusion of such updates or upgrades of such components renders such Product obsolete when compared to a new Product of a substantially similar type.

THERE ARE NO WARRANTIES THAT EXTEND BEYOND THE DESCRIPTION CONTAINED HEREIN. THIS WARRANTY VOIDED AND EXCLUDES ANY AND ALL OTHER WARRANTIES OR REPRESENTATIONS, WHETHER EXPRESS OR IMPLIED OR ARISING UNDER ANY LAW, RELATING TO THE GOODS, INCLUDING BUT NOT LIMITED TO WARRANTIES OF MERCHANTABILITY AND/OR FITNESS FOR ANY PARTICULAR PURPOSES.

NO PERSON, FIRM, OR CORPORATION IS AUTHORIZED TO ASSUME ON BEHALF OF II-VI ANY ADDITIONAL OBLIGATION OR LIABILITY NOT EXPRESSLY PROVIDED HEREIN, EXCEPT IN A WRITING DULY EXECUTED BY AN OFFICER OF II-VI.

3) Limitation of Liability

In no event shall II-VI be liable for any incidental or consequential damages. The liability of II-VI on any claim of any kind shall in no event exceed the price of the Product which gives rise to the claim. Except as to title, all such liability shall terminate upon expiration of the warranty period of the Product.

The invalidity of any of the previous paragraphs shall not affect the remainder of this paragraph or any other paragraph in this section.

4) Patent Infringement

Buyer shall hold II-VI harmless against any expense or loss resulting from infringement of patents or trademarks arising from compliance with Buyer's designs or specifications.

5) Delivery and Title

Delivery dates are approximate and are based upon prompt receipt of all necessary information from Buyer. Under no circumstances does II-VI guarantee date of shipment.

Unless otherwise specified by II-VI, shipment will be made and title will pass F.O.B. point of shipment. II-VI shall ship Products as it deems appropriate unless instructed otherwise in writing by Buyer.

6) Risk of Loss

Risk of loss or damage shall pass to Buyer upon shipment. Loss or damage that occurs during shipping by a carrier selected by Buyer is Buyer's responsibility.

7) Uncontrollable Delays

II-VI shall not be liable for delivery delays due to causes beyond its reasonable control including, but not limited to, acts of God, acts of Buyer, acts of military authority, governmental priorities, labor strikes, and transportation delays.

8) Financial Conditions

If II-VI determines in good faith that the financial condition of Buyer at any time does not justify the continuation of production or shipment on the terms of payment originally specified, II-VI may require full or partial payment in advance. In the event of Buyer bankruptcy or insolvency, II-VI shall be entitled to cancel any outstanding order and shall receive reimbursement for its cancellation charges.

9) Payment Terms

Unless terms are specifically set forth on the Order Acknowledgement, Buyer shall pay at such time and such terms as specified in II-VI's original invoice. Any quotations shall be valid for the period stated on the quotation.

10) Cancellation

Buyer may not cancel its order after shipment has been made. Buyer may cancel its order prior to shipment only upon written notice and consent of II-VI. If II-VI consents to any such cancellation, Buyer may be required to pay cancellation charges which include lost profits and all expenses incurred in connection with the cancelled order.

11) Jurisdiction

The validity, performance, and all matters relating to the interpretation and effect of this agreement shall be governed by the laws of the Commonwealth of Pennsylvania.

TOLL FREE 888.558.1504 (USA and Canada) T. 724.352.1504 F. 724.352.4980 WWW.II-VI.INFRARED.COM

All original equipment manufacturer's names, drawings, colors, trademarks and part numbers are used for identification purposes only and we are in no way implying that any of our products are original equipment parts. All parts advertised for sale in this catalog are made for and/or by II-VI Incorporated.



WORLDWIDE SALES OFFICES

To place an order, contact a II-VI sales representative at any of the following locations, or visit www.iivinfrared.com/contact for our most complete and up-to-date contact information.

**II-VI INFRARED**

375 SAXONBURG BLVD
SAXONBURG, PA 16056
UNITED STATES
888-558-1504 (Toll free in USA)
T. 724-352-1504
F. 724-352-4980
info@iivinfrared.com

II-VI WEST

36570 BRIGGS ROAD
MURRIETA, CA 92563
USA
800.262.5273 (Toll free in USA)
T. 951.926.7640
F. 951.926.1984
info@iivinfrared.com

II-VI BENELUX N.V.

BAAIKENSSTRAAT 21/2
B-9240 ZELE
BELGIUM
T. 32 (0) 52 45 86 10
F. 32 (0) 52 45 86 11
sales@ii-vi.be

II-VI DEUTSCHLAND GmbH

BRUNNENWEG 19-21
D-64331 WEITERSTADT
GERMANY
T. 49 6150 54 39-226
F. 49 6150 54 39-200
info@ii-vi.de

II-VI ITALIA S.r.l.

VIA ANDREA COSTA
31-20131 MILANO
ITALY
T. 39 02 2828740
F. 39 02 26149131
info@ii-vi.it

II-VI SUISSE S.a.r.l.

MOULIN-DU-CHOC
1122 ROMANEL-SUR-MORGES
SWITZERLAND
T. 41 2186 902 52
F. 41 2186 993 08
info@ii-vi.ch

II-VI UK LTD.

21 BURLEY ROAD
OAKHAM, RUTLAND
LE15 6DH
UNITED KINGDOM
T. 44 1572 771 778
F. 44 1572 771 779
sales@ii-vi.co.uk

II-VI JAPAN

WBG MARIVE EAST 26F
NAKASE 2-6-1
MIHAMA-KU, CHIBA-SHI
CHIBA 261-7126
JAPAN
T. 81 43297 2693
F. 81 43297 3003
center@ii-vi.co.jp

II-VI SINGAPORE PTE. LTD.

BLK. 5012, TECHPLACE II
#04-07 & 05-07/12,
ANG MO KIO AVE. 5
SINGAPORE 569876
T. 65 6481 8215
F. 65 6481 8702
info@ii-vi.com.sg

II-VI INFRARED LASER(SUZHOU)

BLOCK D#01-01/02
NO. 5 XING HAN STREET
SUZHOU INDUSTRIAL PARK
SUZHOU, CHINA 215101
T. 86 512 6761 9295
F. 86 512 6767 1207
infosz@ii-vi.com.cn

II-VI KOREA

1502 WEST HANSHIN INTERVALLEY
707-34 YEOKSAM, GANGNAM
SEOUL, KOREA 135-731
T. 02-572-3395
F. 02-6499-3395
jchoi@ii-vi.com