

II-VI INFRARED

www.iiviinfrared.com

CO₂ LASER NOZZLES AND ACCESSORIES



PRECITEC®



TOLL FREE 888.558.1504 (USA and Canada)
TEL. 724.352.1504 FAX. 724.352.4980



About II-VI INFRARED

In 1971, II-VI Incorporated began by exclusively producing the highest-quality cadmium telluride (CdTe) material available for manufacturing high-power industrial CO₂ laser optics. Today, we have diversified into producing zinc selenide (ZnSe) material, as well as into numerous business units including laser tools for materials processing (HIGHYAG); near-infrared optics, YAG components, and telecommunications components (VLOC); fiber optics, projection and display optics, DPSS laser, crystal materials, and other photonics products (Photop); defense and aerospace optics (Exotic Electro-Optics); tellurium and selenium products (PRM); thermoelectric cooling devices (Marlow Industries); silicon carbide (II-VI WBG); and advanced materials development (II-VI AMDC). Given this diversity of II-VI Incorporated's business units, we have thus christened our original IR materials and optics business unit II-VI Infrared.

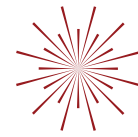
As II-VI Incorporated continues to grow, II-VI Infrared focuses on the company's original, industry-leading products: infrared and CO₂ laser optics and materials. And thanks to decades of innovation in zinc selenide (ZnSe) and zinc sulfide (ZnS) materials processing, thin-film coating, precision diamond turning, and finished optics fabrication, II-VI Infrared is the world leader in CO₂ laser optics, delivering an unbeatable combination of innovation, quality, and expertise. II-VI Infrared also delivers the largest vertically integrated CO₂ laser optics manufacturing process -- from raw materials to finished coated products -- in the world.

An optics foundry to CO₂ laser original equipment manufacturers (OEMs) the world over, consistently building optics to spec with consistent performance and quality, II-VI Infrared's products range from replacement CO₂ laser optics and nozzles to lenses, partial reflectors, windows, beamsplitters, mirrors, beam expanders, reflective phase retarders, scanning-laser system optics, diamond-turned custom optics, IR optical materials (ZnSe, ZnS, CVD Diamond), and more. Our products and reputation make us the number-one supplier to OEMs of CO₂ laser systems worldwide, while our capabilities are without rival in the industry.

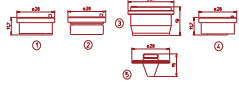
Our diamond-turning facility is among the largest and most advanced in the world, offering services such as flycutting and multiple-axis turning, as well as fast and slow tool servos for custom optics. Single-point diamond-turning is used in finishing transmissive optics and mirrors in a variety of metals and IR materials.

Major investments in computer design programs, thin film evaporation equipment, clean rooms, and QA testing facilities enable us to offer a broad range of IR thin-film coatings. II-VI Infrared is known for designing and producing consistently low-absorption coatings for high-power CO₂ laser optics. Additionally, our talented and experienced engineering team using optical design software and CAD systems, designs and builds standard and custom optics as well as specialized mounts, components, and electro-optic assemblies.

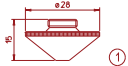
Our quality assurance program includes comprehensive testing, documentation, and statistical analysis to ensure that each optic and component performs to customer requirements.



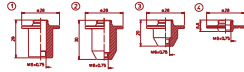
PRECITEC® CONTENTS



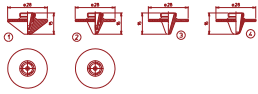
3-4



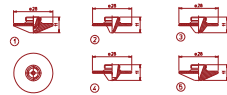
5-6



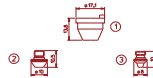
11-12



7-8



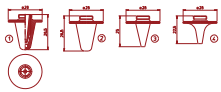
13-14



17-18



23-24



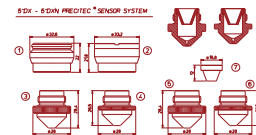
9-10



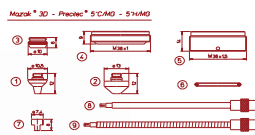
15-16



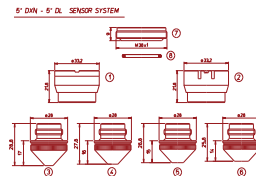
19-20



25-26

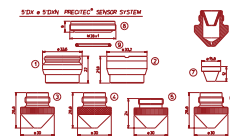


21-22

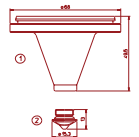


27-28

31-32



29-30

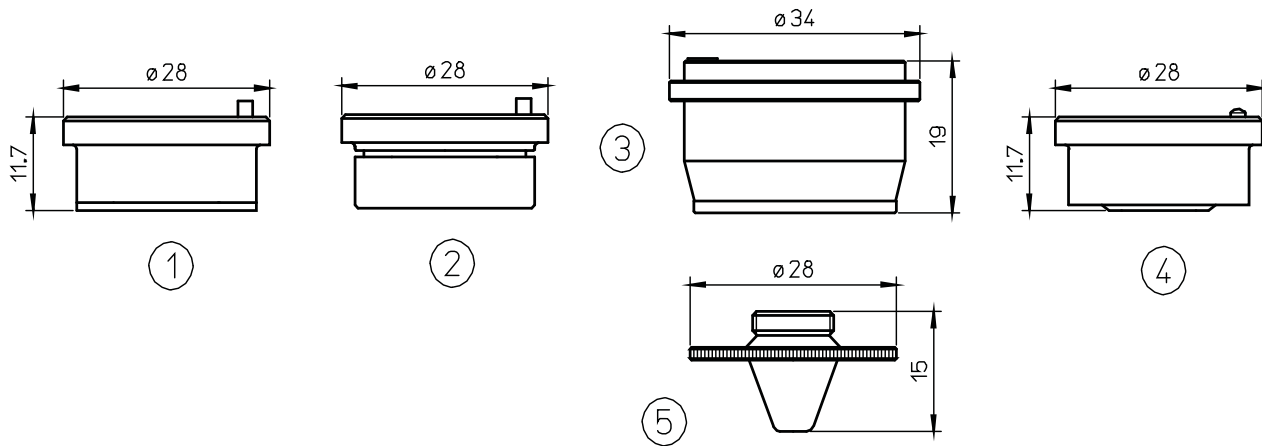


33-34



TOLL FREE 888.558.1504 (USA and Canada) T. 724.352.1504 F. 724.352.4980 WWW.II-VIINFRARED.COM

All original equipment manufacturer's names, drawings, colors, trademarks and part numbers are used for identification purposes only and we are in no way implying that any of our products are original equipment parts. All parts advertised for sale in this catalog are made for and/or by II-VI Incorporated.

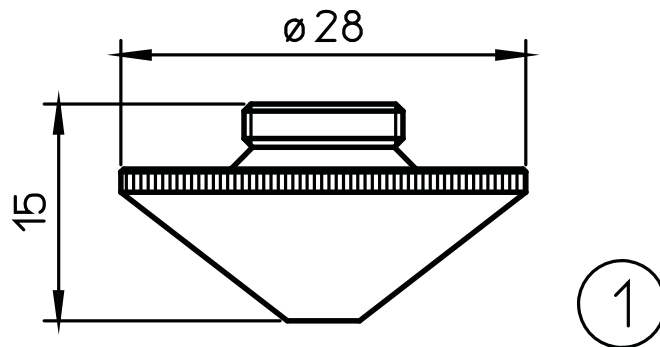




POS	II-VI P/N	OEM P/N	DESCRIPTION
1	AL23	281330-P0571-260-00001	PRECITEC® ORIGINAL NOZZLE HOLDER KT B2"
	AL355	P0571-1051-00001	PRECITEC® ORIGINAL NOZZLE HOLDER KT B2" CON
	AL131	281330 - P0571-260-00001	PRECITEC® NOZZLE HOLDER KT B2"
2	AL331	281330 - P0571-260-00001	PRECITEC® NOZZLE HOLDER KT B2" CON
3	AL228		CR ELECTRONIC® NOZZLE HOLDER
4	AL141	281518-P0571-265-00001	PRECITEC® ORIG. NOZZLE HOLDER IT B2" Z ALUMINUM
5	L247	281590-P0591-569-00008	PRECITEC® NOZZLE Ø 0.8
	L162	281331-P0591-561-00010	PRECITEC® NOZZLE Ø 1.0
	L130	281351-P0591-562-00012	PRECITEC® NOZZLE Ø 1.2
	L131	281352-P0591-563-00015	PRECITEC® NOZZLE Ø 1.5
	L248		PRECITEC® NOZZLE Ø 1.7
	L153	281353-P0591-564-00018	PRECITEC® NOZZLE Ø 1.8
	L132	281354-P591-565-00020	PRECITEC® NOZZLE Ø 2.0
	L154		PRECITEC® NOZZLE Ø 2.3
	L155	281591-P0591-566-00025	PRECITEC® NOZZLE Ø 2.5
	L156		PRECITEC® NOZZLE Ø 3.0
	L247X	281590-P0591-569-00008	PRECITEC® NOZZLE Ø 0.8 CP
	L162X	281331-P0591-561-00010	PRECITEC® NOZZLE Ø 1.0 CP
	L130X	281351-P0591-562-00012	PRECITEC® NOZZLE Ø 1.2 CP
	L131X	281352-P0591-563-00015	PRECITEC® NOZZLE Ø 1.5 CP
	L248X		PRECITEC® NOZZLE Ø 1.7 CP
	L153X	281353-P0591-564-00018	PRECITEC® NOZZLE Ø 1.8 CP
	L132X	281354-P591-565-00020	PRECITEC® NOZZLE Ø 2.0 CP
	L154X		PRECITEC® NOZZLE Ø 2.3 CP
	L155X	281591-P0591-566-00025	PRECITEC® NOZZLE Ø 2.5 CP
	L156X		PRECITEC® NOZZLE Ø 3.0 CP

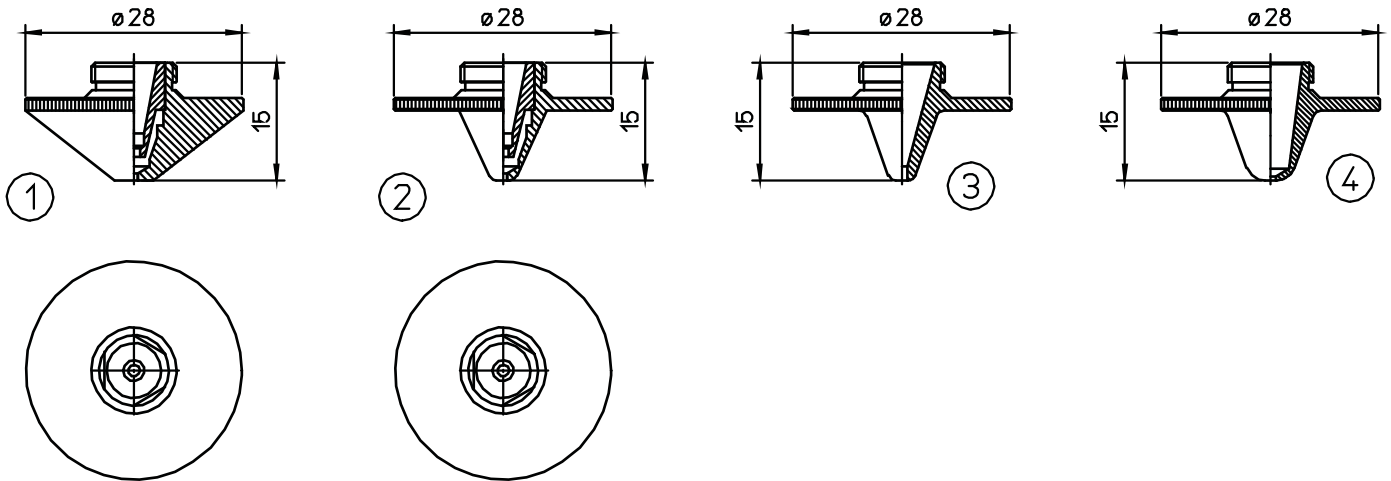
TOLL FREE 888.558.1504 (USA and Canada) T. 724.352.1504 F. 724.352.4980 WWW.IIVIINFRARED.COM

All original equipment manufacturer's names, drawings, colors, trademarks and part numbers are used for identification purposes only and we are in no way implying that any of our products are original equipment parts. All parts advertised for sale in this catalog are made for and/or by II-VI Incorporated.





POS	II-VI P/N	OEM P/N	DESCRIPTION	
1	L935		PRECITEC® NOZZLE Ø 0.8 HD	
	L234	281548-P0591-571-00010	PRECITEC® NOZZLE Ø 1.0 HD	
	L235	281549-P0591-572-00012	PRECITEC® NOZZLE Ø 1.2 HD	
	L236	281463-P0591-573-00015	PRECITEC® NOZZLE Ø 1.5 HD	
	L237	P0591-574-00018	PRECITEC® NOZZLE Ø 1.8 HD	
	L238	281550-P0591-575-00020	PRECITEC® NOZZLE Ø 2.0 HD	
	L239		PRECITEC® NOZZLE Ø 2.3 HD	
	L240	281551-P0591-576-00025	PRECITEC® NOZZLE Ø 2.5 HD	
	L936		PRECITEC® NOZZLE Ø 2.75 HD	
	L241		PRECITEC® NOZZLE Ø 3.0 HD	
	L826		PRECITEC® NOZZLE Ø 3.2 HD	
	L827		PRECITEC® NOZZLE Ø 3.5 HD	
	L828		PRECITEC® NOZZLE Ø 4.0 HD	
	L829		PRECITEC® NOZZLE Ø 4.5 HD	
	L935X			PRECITEC® NOZZLE Ø 0.8 HD CP
	L234X	281548-P0591-571-00010		PRECITEC® NOZZLE Ø 1.0 HD CP
	L235X	281549-P0591-572-00012		PRECITEC® NOZZLE Ø 1.2 HD CP
	L236X	281463-P0591-573-00015		PRECITEC® NOZZLE Ø 1.5 HD CP
	L237X			PRECITEC® NOZZLE Ø 1.8 HD CP
	L238X	281550-P0591-575-00020		PRECITEC® NOZZLE Ø 2.0 HD CP
	L239X			PRECITEC® NOZZLE Ø 2.3 HD CP
	L240X	281551-P0591-576-00025		PRECITEC® NOZZLE Ø 2.5 HD CP
	L936X			PRECITEC® NOZZLE Ø 2.75 HD CP
	L241X			PRECITEC® NOZZLE Ø 3.0 HD CP
	L826X			PRECITEC® NOZZLE Ø 3.2 HD CP
	L827X			PRECITEC® NOZZLE Ø 3.5 HD CP
	L828X			PRECITEC® NOZZLE Ø 4.0 HD CP
	L829X			PRECITEC® NOZZLE Ø 4.5 HD CP

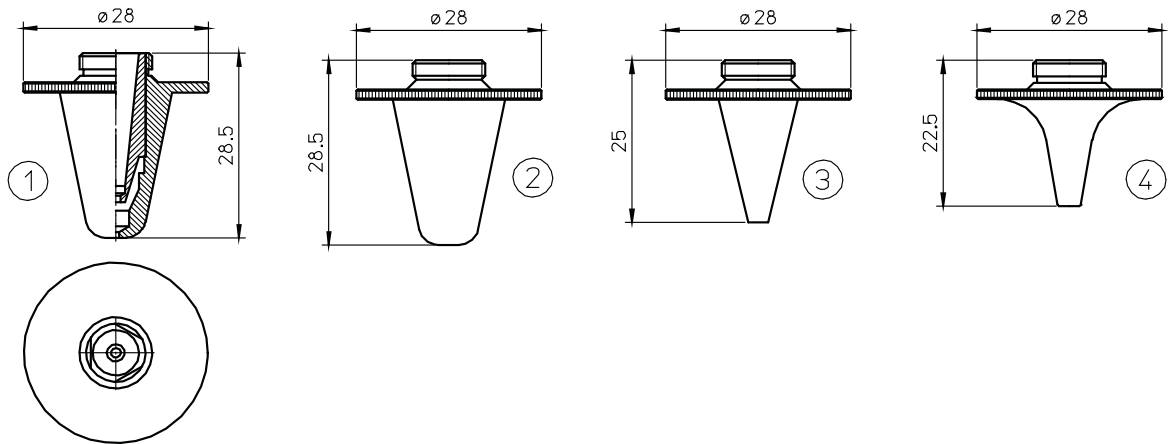




POS	II-VI P/N	OEM P/N	DESCRIPTION
1	L669		PRECITEC® DOUBLE NOZZLE Ø 0.8
	L660		PRECITEC® DOUBLE NOZZLE Ø 1.0
	L661		PRECITEC® DOUBLE NOZZLE Ø 1.2
	L662		PRECITEC® DOUBLE NOZZLE Ø 1.5
	L663		PRECITEC® DOUBLE NOZZLE Ø 1.8
	L664		PRECITEC® DOUBLE NOZZLE Ø 2.0
	L665		PRECITEC® DOUBLE NOZZLE Ø 2.3
	L666		PRECITEC® DOUBLE NOZZLE Ø 2.5
	L667		PRECITEC® DOUBLE NOZZLE Ø 3.0
	L668		PRECITEC® DOUBLE NOZZLE Ø 3.5
	L669X		PRECITEC® DOUBLE NOZZLE Ø 0.8 CP
	L660X		PRECITEC® DOUBLE NOZZLE Ø 1.0 CP
	L661X		PRECITEC® DOUBLE NOZZLE Ø 1.2 CP
	L662X		PRECITEC® DOUBLE NOZZLE Ø 1.5 CP
	L663X		PRECITEC® DOUBLE NOZZLE Ø 1.8 CP
	L664X		PRECITEC® DOUBLE NOZZLE Ø 2.0 CP
	L665X		PRECITEC® DOUBLE NOZZLE Ø 2.3 CP
	L666X		PRECITEC® DOUBLE NOZZLE Ø 2.5 CP
	L667X		PRECITEC® DOUBLE NOZZLE Ø 3.0 CP
L668X		PRECITEC® DOUBLE NOZZLE Ø 3.5 CP	
2	L1348	6930250001	PRECITEC® 3D DOUBLE NOZZLE Ø 0.8
	L1349	6930250002	PRECITEC® 3D DOUBLE NOZZLE Ø 1.0
	L1350	6930250003	PRECITEC® 3D DOUBLE NOZZLE Ø 1.2
	L1351	6930250004	PRECITEC® 3D DOUBLE NOZZLE Ø 1.5
	L1348X		PRECITEC® 3D DOUBLE NOZZLE Ø 0.8 CP
	L1349X		PRECITEC® 3D DOUBLE NOZZLE Ø 1.0 CP
	L1350X		PRECITEC® 3D DOUBLE NOZZLE Ø 1.2 CP
	L1351X		PRECITEC® 3D DOUBLE NOZZLE Ø 1.5 CP
3	L738		PRECITEC® NOZZLE Ø 1.0 HD
	L739		PRECITEC® NOZZLE Ø 1.2 HD
	L740		PRECITEC® NOZZLE Ø 1.5 HD
4	L792		PRECITEC® NOZZLE Ø 0.8
	L793		PRECITEC® NOZZLE Ø 1.0
	L794		PRECITEC® NOZZLE Ø 1.2
	L742		PRECITEC® NOZZLE Ø 1.5
	L743		PRECITEC® NOZZLE Ø 1.8
	L744		PRECITEC® NOZZLE Ø 2.0

TOLL FREE 888.558.1504 (USA and Canada) T. 724.352.1504 F. 724.352.4980 WWW.IIVIINFRARED.COM

All original equipment manufacturer's names, drawings, colors, trademarks and part numbers are used for identification purposes only and we are in no way implying that any of our products are original equipment parts. All parts advertised for sale in this catalog are made for and/or by II-VI Incorporated.

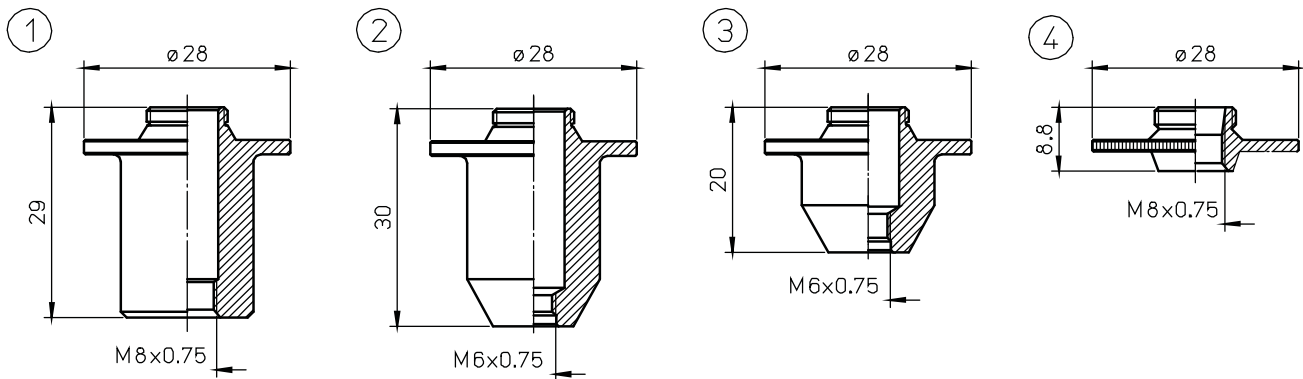




POS	II-VI P/N	OEM P/N	DESCRIPTION
1	L680		PRECITEC® DOUBLE NOZZLE Ø 1.0 LONG
	L681		PRECITEC® DOUBLE NOZZLE Ø 1.2 LONG
	L682		PRECITEC® DOUBLE NOZZLE Ø 1.5 LONG
	L683		PRECITEC® DOUBLE NOZZLE Ø 1.8 LONG
	L684		PRECITEC® DOUBLE NOZZLE Ø 2.0 LONG
	L685		PRECITEC® DOUBLE NOZZLE Ø 2.3 LONG
	L686		PRECITEC® DOUBLE NOZZLE Ø 2.5 LONG
	L687		PRECITEC® DOUBLE NOZZLE Ø 3.0 LONG
	L688		PRECITEC® DOUBLE NOZZLE Ø 3.5 LONG
2	L308	P0573-563-00010	PRECITEC® NOZZLE Ø 1.0 LONGED
	L307	P0573-563-00012	PRECITEC® NOZZLE Ø 1.2 LONGED
	L382	P0573-563-00015	PRECITEC® NOZZLE Ø 1.5 LONGED
	L383		PRECITEC® NOZZLE Ø 1.8 LONGED
	L437	P0573-564-00020	PRECITEC® NOZZLE Ø 2.0 LONGED
	L438	P0573-565-00023	PRECITEC® NOZZLE Ø 2.3 LONGED
	L439	P0573-566-00025	PRECITEC® NOZZLE Ø 2.5 LONGED
	L440		PRECITEC® NOZZLE Ø 3.0 LONGED
3	L1341		PRECITEC® NOZZLE Ø 1.0 LONG
	L1343		PRECITEC® NOZZLE Ø 1.5 LONG
	L1344		PRECITEC® NOZZLE Ø 1.8 LONG
	L1345		PRECITEC® NOZZLE Ø 2.0 LONG
4	L1374	P0578-0411-00010	PRECITEC® NOZZLE RADIUS Ø 1.0 LONG
	L1375	P0578-0412-00012	PRECITEC® NOZZLE RADIUS Ø 1.2 LONG
	L1376	P0578-0413-00015	PRECITEC® NOZZLE RADIUS Ø 1.5 LONG
	L1373	P0578-0414-00018	PRECITEC® NOZZLE RADIUS Ø 1.8 LONG
	L1377	P0415-0411-00020	PRECITEC® NOZZLE RADIUS Ø 2.0 LONG
	L1378	P0578-0415-00020	PRECITEC® NOZZLE RADIUS Ø 2.5 LONG
	L1374X		PRECITEC® NOZZLE RADIUS Ø 1.0 LONG CP
	L1375X		PRECITEC® NOZZLE RADIUS Ø 1.2 LONG CP
	L1376X		PRECITEC® NOZZLE RADIUS Ø 1.5 LONG CP
	L1373X		PRECITEC® NOZZLE RADIUS Ø 1.8 LONG CP
	L1377X		PRECITEC® NOZZLE RADIUS Ø 2.0 LONG CP
	L1378X		PRECITEC® NOZZLE RADIUS Ø 2.5 LONG CP

TOLL FREE 888.558.1504 (USA and Canada) T. 724.352.1504 F. 724.352.4980 WWW.IIVIINFRARED.COM

All original equipment manufacturer's names, drawings, colors, trademarks and part numbers are used for identification purposes only and we are in no way implying that any of our products are original equipment parts. All parts advertised for sale in this catalog are made for and/or by II-VI Incorporated.

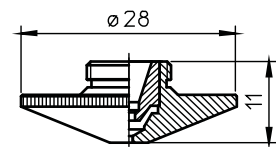


TOLL FREE 888.558.1504 (USA and Canada) T. 724.352.1504 F. 724.352.4980 WWW.II-VIINFRARED.COM

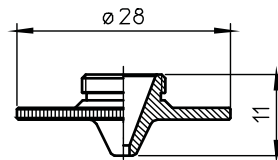
All original equipment manufacturer's names, drawings, colors, trademarks and part numbers are used for identification purposes only and we are in no way implying that any of our products are original equipment parts. All parts advertised for sale in this catalog are made for and/or by II-VI Incorporated.



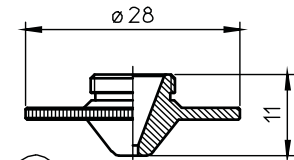
POS	II-VI P/N	OEM P/N	DESCRIPTION
1	AL333		PRECITEC® ADAPTER L=29 FOR TRUMPF® NOZZLE M8
2	AL334		PRECITEC® ADAPTER L=30 FOR TRUMPF® NOZZLE M6
3	AL335		PRECITEC® ADAPTER L=20 FOR TRUMPF® NOZZLE M6
4	AL43		PRECITEC® ADAPTER FOR TRUMPF® NOZZLE



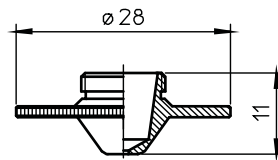
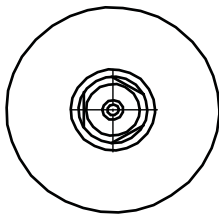
①



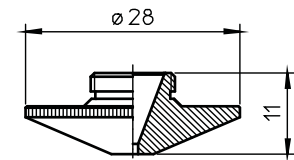
②



③



④



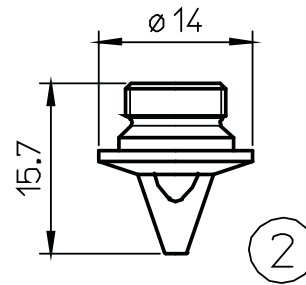
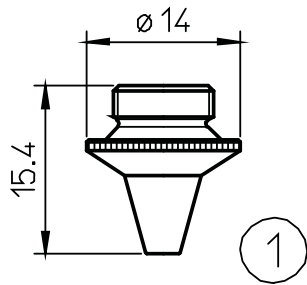
⑤



POS	II-VI P/N	OEM P/N	DESCRIPTION
1	L1179		PRECITEC® DOUBLE NOZZLE Ø 1.0
	L1180		PRECITEC® DOUBLE NOZZLE Ø 1.5
	L1181		PRECITEC® DOUBLE NOZZLE Ø 2.0
	L1182		PRECITEC® DOUBLE NOZZLE Ø 2.5
	L1183		PRECITEC® DOUBLE NOZZLE Ø 3.0
	L1179X		PRECITEC® DOUBLE NOZZLE Ø 1.0 CP
	L1180X		PRECITEC® DOUBLE NOZZLE Ø 1.5 CP
	L1181X		PRECITEC® DOUBLE NOZZLE Ø 2.0 CP
	L1182X		PRECITEC® DOUBLE NOZZLE Ø 2.5 CP
	L1183X		PRECITEC® DOUBLE NOZZLE Ø 3.0 CP
2	L1218		PRECITEC® NOZZLE Ø 1.5 HD
	L1219		PRECITEC® NOZZLE Ø 2.0 HD
	L1220		PRECITEC® NOZZLE Ø 2.5 HD
	L1218X		PRECITEC® NOZZLE Ø 1.5 HD CP
	L1219X		PRECITEC® NOZZLE Ø 2.0 HD CP
	L1220X		PRECITEC® NOZZLE Ø 2.5 HD CP
3	L1062		PRECITEC® NOZZLE Ø 1.5 HD
	L1063		PRECITEC® NOZZLE Ø 2.0 HD
	L1064		PRECITEC® NOZZLE Ø 2.5 HD
	L1065		PRECITEC® NOZZLE Ø 3.0 HD
4	L410	281340-P0571-281-00010	PRECITEC® NOZZLE Ø 1.0
	L411	281341-P0571-282-00012	PRECITEC® NOZZLE Ø 1.2
	L412	281342-P0571-283-00015	PRECITEC® NOZZLE Ø 1.5
	L413	281342-P0571-284-00018	PRECITEC® NOZZLE Ø 1.8
	L414	281343-P0571-285-00020	PRECITEC® NOZZLE Ø 2.0
	L415	281344-P0571-286-00025	PRECITEC® NOZZLE Ø 2.5
5	L465	281599-P0571-291-00010	PRECITEC® NOZZLE Ø 1.0
	L466	P0571-292-00012	PRECITEC® NOZZLE Ø 1.2
	L467	281570-P0571-293-00015	PRECITEC® NOZZLE Ø 1.5
	L468		PRECITEC® NOZZLE Ø 1.8
	L469	281571-P0571-295-00020	PRECITEC® NOZZLE Ø 2.0
	L470	281572-P0571-297-00025	PRECITEC® NOZZLE Ø 2.5
	L463		PRECITEC® NOZZLE Ø 3.0

TOLL FREE 888.558.1504 (USA and Canada) T. 724.352.1504 F. 724.352.4980 WWW.II-VIINFRARED.COM

All original equipment manufacturer's names, drawings, colors, trademarks and part numbers are used for identification purposes only and we are in no way implying that any of our products are original equipment parts. All parts advertised for sale in this catalog are made for and/or by II-VI Incorporated.



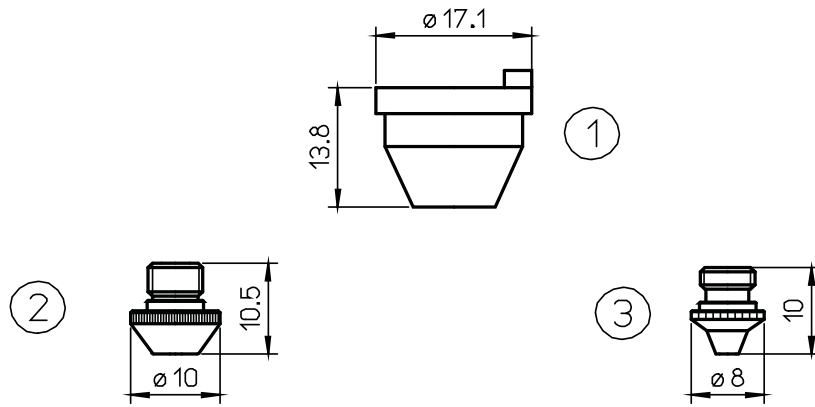


TRUMPF®

POS	II-VI P/N	OEM P/N	DESCRIPTION	
AKK52 - AKH27 - YH27 - YR30 SENSOR SYSTEM				
1	L405	281813-P0589-424-00008	PRECITEC® NOZZLE Ø 0.8	
	L30405	281813-P0589-424-00008	PRECITEC® NOZZLE Ø 0.8	
	L406	281789-P0589-426-00010	PRECITEC® NOZZLE Ø 1.0	
	L30406	281789-P0589-426-00010	PRECITEC® NOZZLE Ø 1.0	
	L404	281561 - 778550	PRECITEC® NOZZLE Ø 1.2	
	L30404	281561 - 778550	PRECITEC® NOZZLE Ø 1.2	
	L407	281814 - 149957	PRECITEC® NOZZLE Ø 1.5	
	L30407	281814 - 149957	PRECITEC® NOZZLE Ø 1.5	
	L408	P0589-428-00020	PRECITEC® NOZZLE Ø 2.0	
	L30408	P0589-428-00020	PRECITEC® NOZZLE Ø 2.0	
	L405X	281813-P0589-424-00008	PRECITEC® NOZZLE Ø 0.8 CP	
	L30405X	281813-P0589-424-00008	PRECITEC® NOZZLE Ø 0.8 CP	
	L406X	281789-P0589-426-00010	PRECITEC® NOZZLE Ø 1.0 CP	
	L30406X	281789-P0589-426-00010	PRECITEC® NOZZLE Ø 1.0 CP	
	L404X	281561-778550-P0589-425-00012	PRECITEC® NOZZLE Ø 1.2 CP	
	L30404X	281561 - 778550	PRECITEC® NOZZLE Ø 1.2 CP	
	L407X	281814 - 149957	PRECITEC® NOZZLE Ø 1.5 CP	
	L30407X	281814 - 149957	PRECITEC® NOZZLE Ø 1.5 CP	
	L408X	P0589-428-00020	PRECITEC® NOZZLE Ø 2.0 CP	
L30408X	P0589-428-00020	PRECITEC® NOZZLE Ø 2.0 CP		
YK52 SENSOR SYSTEM				
2	L800	281498-P0587-722-00010	PRECITEC® NOZZLE Ø 1.0	
	L30800	281498-P0587-722-00010	PRECITEC® NOZZLE Ø 1.0	
	L801	P0587-723-00012	PRECITEC® NOZZLE Ø 1.2	
	L30801	P0587-723-00012	PRECITEC® NOZZLE Ø 1.2	
	L802	281497-P0587-721-00015	PRECITEC® NOZZLE Ø 1.5	
	L30802	281497-P0587-721-00015	PRECITEC® NOZZLE Ø 1.5	
	L803	281516-P0587-737-00018	PRECITEC® NOZZLE Ø 1.8	
	L30803	281516-P0587-737-00018	PRECITEC® NOZZLE Ø 1.8	
	L804	281567-P0587-771-00020	PRECITEC® NOZZLE Ø 2.0	
	L30804	281567-P0587-771-00020	PRECITEC® NOZZLE Ø 2.0	
	L805	P0587-772-00025	PRECITEC® NOZZLE Ø 2.5	
	L30805	P0587-772-00025	PRECITEC® NOZZLE Ø 2.5	

TOLL FREE 888.558.1504 (USA and Canada) T. 724.352.1504 F. 724.352.4980 WWW.IIVIINFRARED.COM

All original equipment manufacturer's names, drawings, colors, trademarks and part numbers are used for identification purposes only and we are in no way implying that any of our products are original equipment parts. All parts advertised for sale in this catalog are made for and/or by II-VI Incorporated.

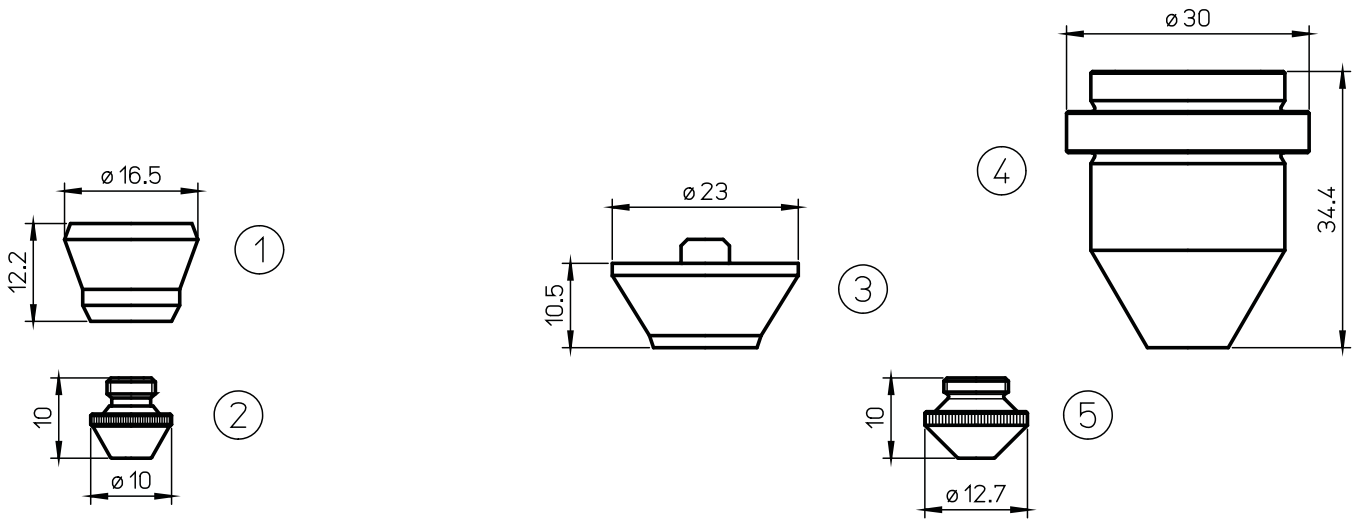




POS	II-VI P/N	OEM P/N	DESCRIPTION
5"KN SENSOR SYSTEM			
1	AL53	280408-092405	TRUMPF® ORIG. NOZZLE HOLDER KT M1.5" KN
2	L292	280551-P0494-853-00010	PRECITEC® NOZZLE Ø 1.0
	L30292	280551-P0494-853-00010	PRECITEC® NOZZLE Ø 1.0
	L293	280552-P0494-854-00012	PRECITEC® NOZZLE Ø 1.2
	L30293	280552-P0494-854-00012	PRECITEC® NOZZLE Ø 1.2
	L294	280553-P0494-855-00015	PRECITEC® NOZZLE Ø 1.5
	L30294	280553-P0494-855-00015	PRECITEC® NOZZLE Ø 1.5
	L295	280554-P0494-856-00017	PRECITEC® NOZZLE Ø 1.7
	L30295	280553-P0494-856-00017	PRECITEC® NOZZLE Ø 1.7
	L296	280555-P0494-855-00020	PRECITEC® NOZZLE Ø 2.0
	L30296	280553-P0494-855-00015	PRECITEC® NOZZLE Ø 2.0
	L372		PRECITEC® NOZZLE Ø 2.3
	L30372		PRECITEC® NOZZLE Ø 2.3
	L371		PRECITEC® NOZZLE Ø 2.5
	L30371		PRECITEC® NOZZLE Ø 2.5
	L304		PRECITEC® NOZZLE Ø 3.0
	L30304		PRECITEC® NOZZLE Ø 3.0
	L303		PRECITEC® NOZZLE Ø 4.0
	L30303		PRECITEC® NOZZLE Ø 4.0
DE M 1.5"			
3	L1055	280943-P0494-787-00010	PRECITEC® NOZZLE Ø 1.0 KN TAK
	L301055	280943-P0494-787-00010	PRECITEC® NOZZLE Ø 1.0 KN TAK
	L1056	280942-P0494-788-00012	PRECITEC® NOZZLE Ø 1.2 KN TAK
	L301056	280942-P0494-788-00012	PRECITEC® NOZZLE Ø 1.2 KN TAK
	L1057	280941-P0494-789-00015	PRECITEC® NOZZLE Ø 1.5 KN TAK
	L301057	280941-P0494-789-00015	PRECITEC® NOZZLE Ø 1.5 KN TAK
	L1058		PRECITEC® NOZZLE Ø 1.8 KN TAK
	L301058		PRECITEC® NOZZLE Ø 1.8 KN TAK
	L1059		PRECITEC® NOZZLE Ø 2.0 KN TAK
	L301059		PRECITEC® NOZZLE Ø 2.0 KN TAK

TOLL FREE 888.558.1504 (USA and Canada) T. 724.352.1504 F. 724.352.4980 WWW.IIVIINFRARED.COM

All original equipment manufacturer's names, drawings, colors, trademarks and part numbers are used for identification purposes only and we are in no way implying that any of our products are original equipment parts. All parts advertised for sale in this catalog are made for and/or by II-VI Incorporated.





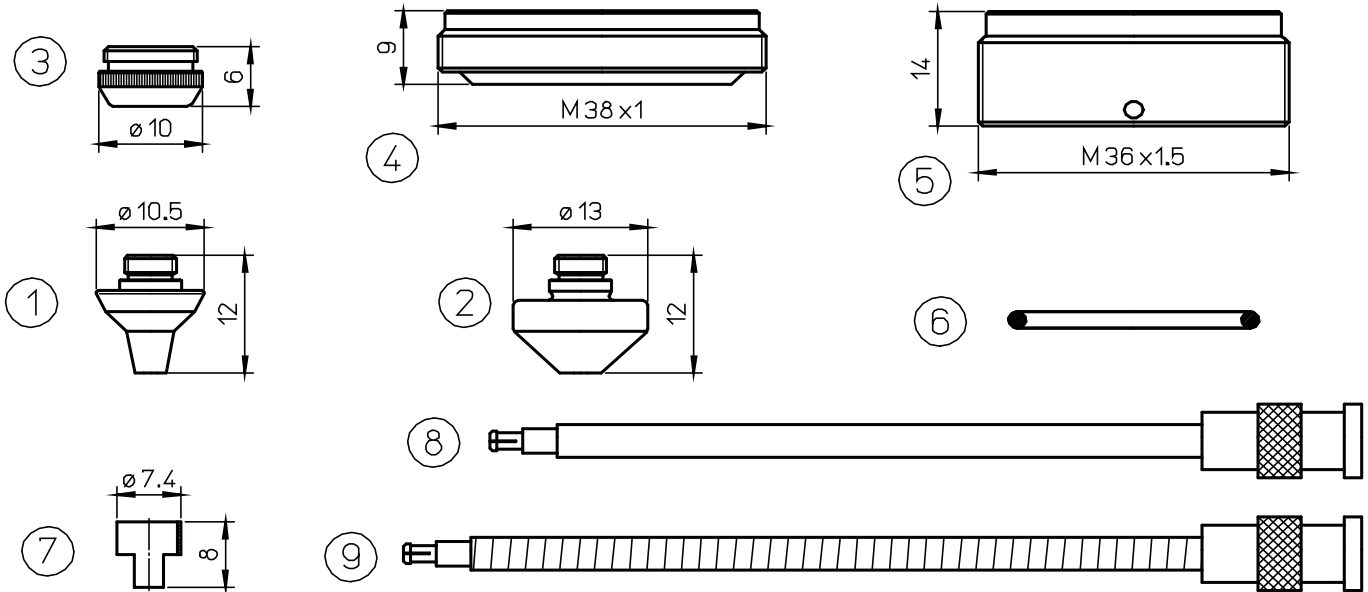
POS	II-VI P/N	OEM P/N	DESCRIPTION
5"K SENSOR SYSTEM			
1	AL67	280040 - P0492-752-00001	PRECITEC® ORIG. NOZZLE HOLDER KT M1.5" K
2	L350	280048-P0492-853-00010	PRECITEC® NOZZLE Ø 1.0
	L30350	280048-P0492-853-00010	PRECITEC® NOZZLE Ø 1.0
	L351	280049-P0492-854-00012	PRECITEC® NOZZLE Ø 1.2
	L30351	280049-P0492-854-00012	PRECITEC® NOZZLE Ø 1.2
	L352	280050-P0492-855-00015	PRECITEC® NOZZLE Ø 1.5
	L30352	280050-P0492-855-00015	PRECITEC® NOZZLE Ø 1.5
	L353	280050	PRECITEC® NOZZLE Ø 2.0
	L30353	280050	PRECITEC® NOZZLE Ø 2.0
2,5"CM SENSOR SYSTEM			
3	AL138	281079-P0492-430-00003-W149	PRECITEC® ORIG. NOZZLE HOLDER KT M1.5" S F2.5
4	AL352		PRECITEC® NOZZLE HOLDER ALUMINIUM
5	L400	280013-P0492-441-00008	PRECITEC® FP NOZZLE Ø 0.8
	L30400	280013-P0492-441-00008	PRECITEC® FP NOZZLE Ø 0.8
	L401	280014-P0492-442-00010-W223	PRECITEC® FP NOZZLE Ø 1.0
	L30401	280014-P0492-442-00010-W223	PRECITEC® FP NOZZLE Ø 1.0
	L402	280015-P0492-443-00012	PRECITEC® FP NOZZLE Ø 1.2
	L30402	280015-P0492-443-00012	PRECITEC® FP NOZZLE Ø 1.2
	L403	280016-P0492-444-00015-W224	PRECITEC® FP NOZZLE Ø 1.5
	L30403	280016-P0492-444-00015-W224	PRECITEC® FP NOZZLE Ø 1.5
	L543	P0492-447-00018	PRECITEC® FP NOZZLE Ø 1.8
	L30543	P0492-447-00018	PRECITEC® FP NOZZLE Ø 1.8
	L544	280937-P0492-445-00020-W225	PRECITEC® FP NOZZLE Ø 2.0
	L30544	280937-P0492-445-00020-W225	PRECITEC® FP NOZZLE Ø 2.0
	L546	P0492-448-00023	PRECITEC® FP NOZZLE Ø 2.3
	L30546	P0492-448-00023	PRECITEC® FP NOZZLE Ø 2.3
	L545	281791-P0492-446-00025-W226	PRECITEC® FP NOZZLE Ø 2.5
	L30545	281791-P0492-446-00025-W226	PRECITEC® FP NOZZLE Ø 2.5
	L547		PRECITEC® FP NOZZLE Ø 3.0
	L30547		PRECITEC® FP NOZZLE Ø 3.0
	L400X	280013-P0492-441-00008	PRECITEC® FP NOZZLE Ø 0.8 CP
	L30400X	280013-P0492-441-00008	PRECITEC® FP NOZZLE Ø 0.8 CP
	L401X	280014-P0492-442-00010-W223	PRECITEC® FP NOZZLE Ø 1.0 CP
	L30401X	280014-P0492-442-00010-W223	PRECITEC® FP NOZZLE Ø 1.0 CP
	L402X		PRECITEC® FP NOZZLE Ø 1.2 CP
	L30402X		PRECITEC® FP NOZZLE Ø 1.2 CP
	L403X	280016-P0492-444-00015-W224	PRECITEC® FP NOZZLE Ø 1.5 CP
	L30403X	280016-P0492-444-00015-W224	PRECITEC® FP NOZZLE Ø 1.5 CP
	L543X	P0492-447-00018	PRECITEC® FP NOZZLE Ø 1.8 CP
	L30543X	P0492-447-00018	PRECITEC® FP NOZZLE Ø 1.8 CP
	L544X	280937-P0492-445-00020-W225	PRECITEC® FP NOZZLE Ø 2.0 CP
	L30544X	280937-P0492-445-00020-W225	PRECITEC® FP NOZZLE Ø 2.0 CP
	L546X	P0492-448-00023	PRECITEC® FP NOZZLE Ø 2.3 CP
	L30546X	P0492-448-00023	PRECITEC® FP NOZZLE Ø 2.3 CP
	L545X	281791-P0492-446-00025-W226	PRECITEC® FP NOZZLE Ø 2.5 CP
L30545X	281791-P0492-446-00025-W226	PRECITEC® FP NOZZLE Ø 2.5 CP	
L547X		PRECITEC® FP NOZZLE Ø 3.0 CP	
L30547X		PRECITEC® FP NOZZLE Ø 3.0 CP	

TOLL FREE 888.558.1504 (USA and Canada) T. 724.352.1504 F. 724.352.4980 WWW.IIVIINFRARED.COM

All original equipment manufacturer's names, drawings, colors, trademarks and part numbers are used for identification purposes only and we are in no way implying that any of our products are original equipment parts. All parts advertised for sale in this catalog are made for and/or by II-VI Incorporated.

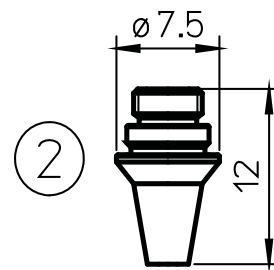
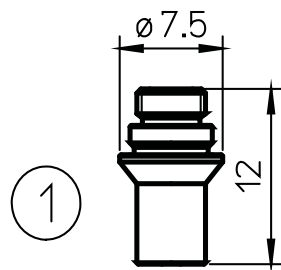


Mazak® 3D - Precitec® 5"C/MG - 5"H/MG





POS	II-VI P/N	OEM P/N	DESCRIPTION	
1	L554	46713300290-10	MAZAK® NOZZLE 3D Ø 1.0	
	L30554	46713300290-10	MAZAK® NOZZLE 3D Ø 1.0	
	L555	46713300290-12	MAZAK® NOZZLE 3D Ø 1.2	
	L30555	46713300290-12	MAZAK® NOZZLE 3D Ø 1.2	
	L556	46713300290-15-P0352-381-00015	MAZAK® NOZZLE 3D Ø 1.5	
	L30556	46713300290-15-P0352-381-00015	MAZAK® NOZZLE 3D Ø 1.5	
	L557		MAZAK® NOZZLE 3D Ø 1.8	
	L30557		MAZAK® NOZZLE 3D Ø 1.8	
	L558	46713300310-P0352-382-00020	MAZAK® NOZZLE 3D Ø 2.0	
	L30558	46713300310-P0352-382-00020	MAZAK® NOZZLE 3D Ø 2.0	
	L560	46713300280-25	MAZAK® NOZZLE 3D Ø 2.5	
	L30560	46713300280-25	MAZAK® NOZZLE 3D Ø 2.5	
	L563	46713300280-30-46713300430	MAZAK® NOZZLE 3D Ø 3.0	
	L30563	46713300280-30	MAZAK® NOZZLE 3D Ø 3.0	
	L564	46713300280-35	MAZAK® NOZZLE 3D Ø 3.5	
	L30564	46713300280-35	MAZAK® NOZZLE 3D Ø 3.5	
2	L576		MAZAK® NOZZLE Ø 1.0 2D	
	L30576		MAZAK® NOZZLE Ø 1.0 2D	
	L577	46713300310	MAZAK® NOZZLE Ø 1.2 2D	
	L30577	46713300310	MAZAK® NOZZLE Ø 1.2 2D	
	L578	P0352-386-00015	MAZAK® NOZZLE Ø 1.5 2D	
	L30578	P0352-386-00015	MAZAK® NOZZLE Ø 1.5 2D	
	L579		MAZAK® NOZZLE Ø 1.8 2D	
	L30579		MAZAK® NOZZLE Ø 1.8 2D	
	L580	46713300300-P0352-387-00020	MAZAK® NOZZLE Ø 2.0 2D	
	L30580	46713300300-P0352-387-00020	MAZAK® NOZZLE Ø 2.0 2D	
	L581	46713300300-25	MAZAK® NOZZLE Ø 2.5 2D	
	L30581	46713300300-25	MAZAK® NOZZLE Ø 2.5 2D	
	L582	46713300300-30	MAZAK® NOZZLE Ø 3.0 2D	
	L30582	46713300300-30	MAZAK® NOZZLE Ø 3.0 2D	
	3	AL160	46713300321-P0352-311-00001	MAZAK® VESPEL NUT - SPACE GEAR
4	AL198	P0492-702-00001-29100021	PRECITEC® INSULATING RING - plastic	
5	AL218	46713330200	MAZAK® 5-AXIS INSULATOR	
6	AL94	71366453	AMADA® O'RING FOR NOZZLE OUTER	
7	AL256	46713300390	PRECITEC® INSULATOR COLLAR	
8	AL204	P0360-100-00500 - 46713300100	PRECITEC® ORIG. SENSOR CABLE KE 500 Z	
9	AL257	281386 P0360-155-00500	MAZAK® ELECTRODE CABLE	

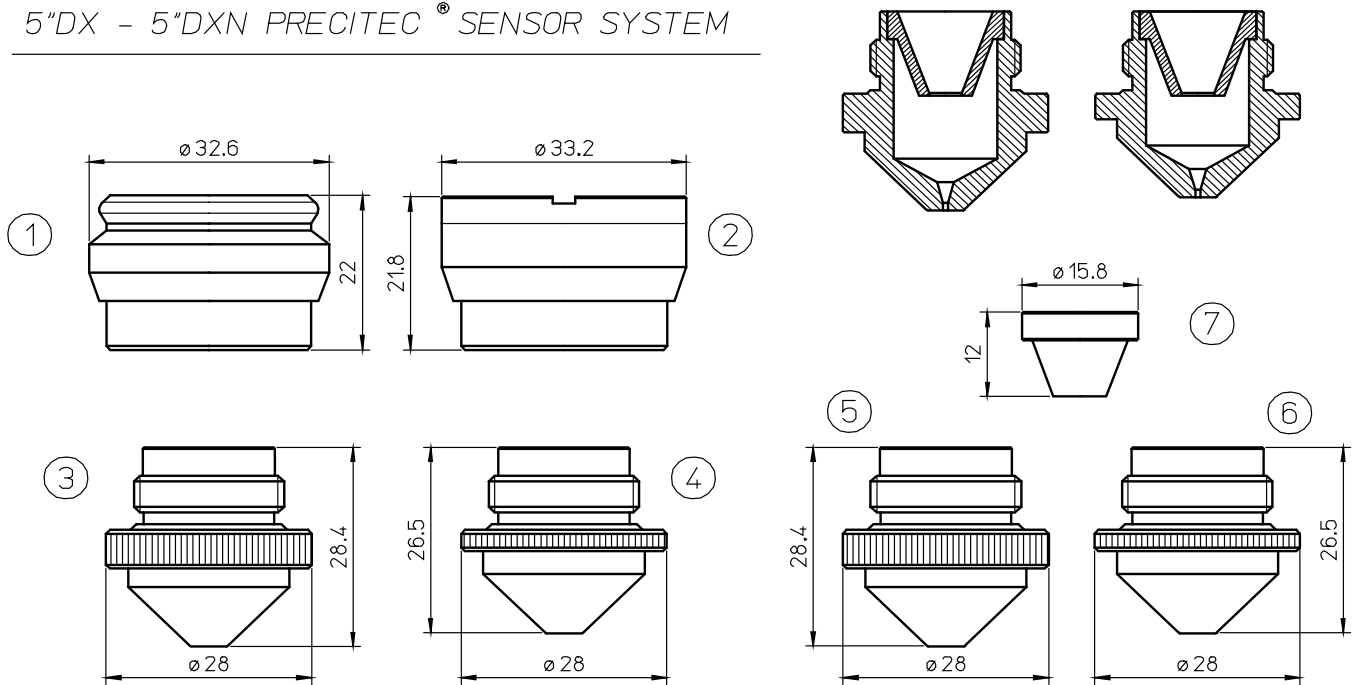




POS	II-VI P/N	OEM P/N	DESCRIPTION
1	L480	281005-P0352-323-00010	MAZAK® NOZZLE Ø 1.0 ZK
	L30480	281005-P0352-323-00010	MAZAK® NOZZLE Ø 1.0 ZK
	L481	281034-P0352-324-00012	MAZAK® NOZZLE Ø 1.2 ZK
	L30481	281034-P0352-324-00012	MAZAK® NOZZLE Ø 1.2 ZK
	L482	281013-P0352-325-00015	MAZAK® NOZZLE Ø 1.5 ZK
	L30482	281013-P0352-325-00015	MAZAK® NOZZLE Ø 1.5 ZK
	L483	280899-P0352-326-00018	MAZAK® NOZZLE Ø 1.8 ZK
	L30483	280899-P0352-326-00018	MAZAK® NOZZLE Ø 1.8 ZK
	L484	350044.3-P0352-327-00020	MAZAK® NOZZLE Ø 2.0 ZK
	L30484	350044.3-P0352-327-00020	MAZAK® NOZZLE Ø 2.0 ZK
	L485	P0352-328-00025	MAZAK® NOZZLE Ø 2.5 ZK
	L30485	350044.3-P0352-328-00025	MAZAK® NOZZLE Ø 2.5 ZK
	2	L486	281006-P0352-333-00010
L30486		281006-P0352-333-00010	MAZAK® NOZZLE Ø 1.0 KK
L487		281030-P0352.334.00012	MAZAK® NOZZLE Ø 1.2 KK
L30487		281030-P0352.334.00012	MAZAK® NOZZLE Ø 1.2 KK
L488		281031-P0352.335.00015	MAZAK® NOZZLE Ø 1.5 KK
L30488		281031-P0352.335.00015	MAZAK® NOZZLE Ø 1.5 KK
L489		280898-P0352.336.00018	MAZAK® NOZZLE Ø 1.8 KK
L30489		280898-P0352.336.00018	MAZAK® NOZZLE Ø 1.8 KK
L490		P0352.336.00020	MAZAK® NOZZLE Ø 2.0 KK
L30490		P0352.336.00020	MAZAK® NOZZLE Ø 2.0 KK



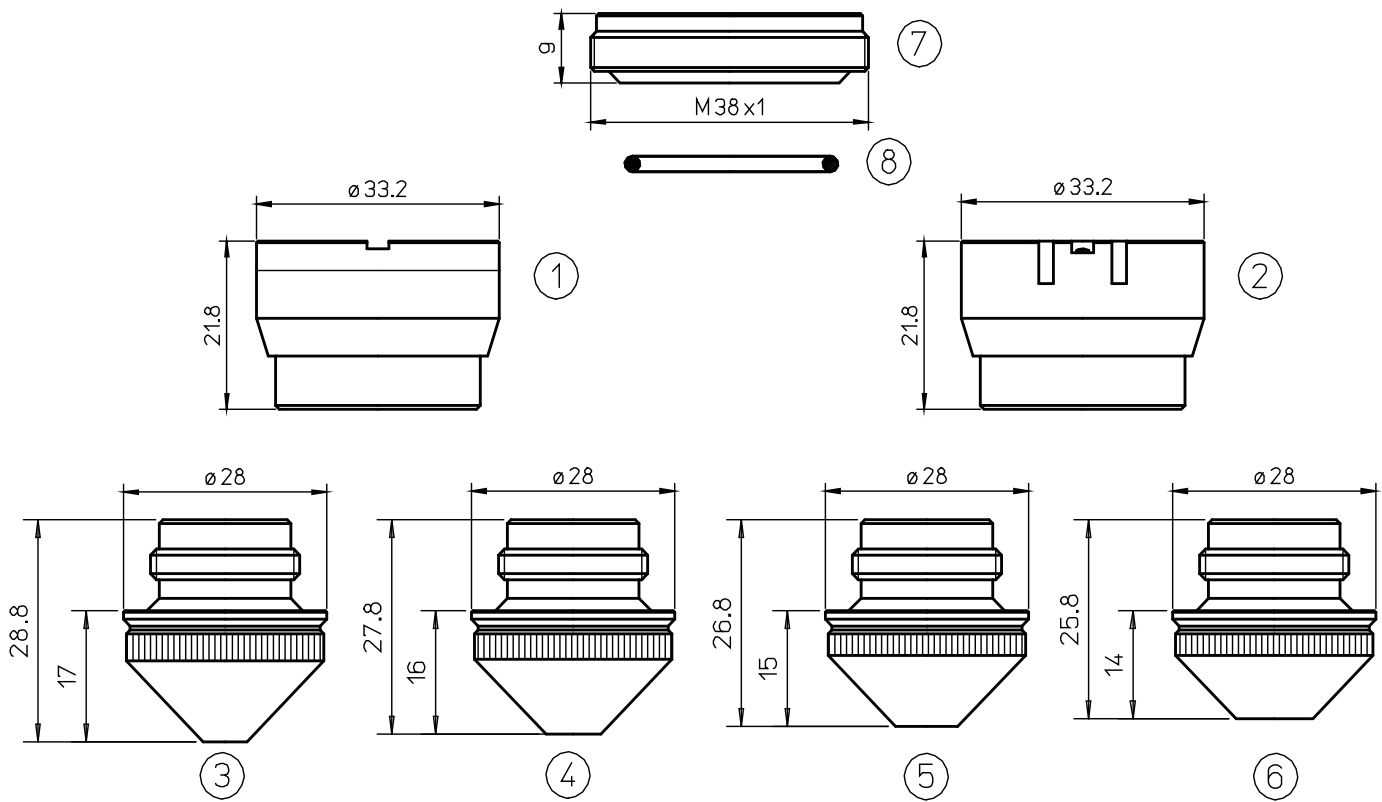
5"DX - 5"DXN PRECITEC® SENSOR SYSTEM





POS	II-VI P/N	OEM P/N	DESCRIPTION
1	AL35	280831-P0492-622-00002	PRECITEC® ORIG. NOZ.HOLDER KT A1.5"DX - CERAMIC
2	AL40	280565-P0497-605-00001-29100106	PRECITEC® ORIG. NOZ. HOLDER KT M1.5"DXN - CERAMIC
3	L87		ADIGE S.® NOZZLE Ø 0.8
	L10		ADIGE S.® NOZZLE Ø 1.25
	L90		ADIGE S.® NOZZLE Ø 1.5
4	L40		ADIGE S.® NOZZLE Ø 1.5 HD
	L186		ADIGE S.® NOZZLE Ø 1.8 HD
5	L187		ADIGE S.® NOZZLE Ø 0.8
	L188		ADIGE S.® NOZZLE Ø 1.25
	L189		ADIGE S.® NOZZLE Ø 1.5
6	L190		ADIGE S.® NOZZLE Ø 1.5
	L191		ADIGE S.® NOZZLE Ø 1.8
7	L157		LVD® INNER NOZZLE

5" DXN - 5" DL SENSOR SYSTEM

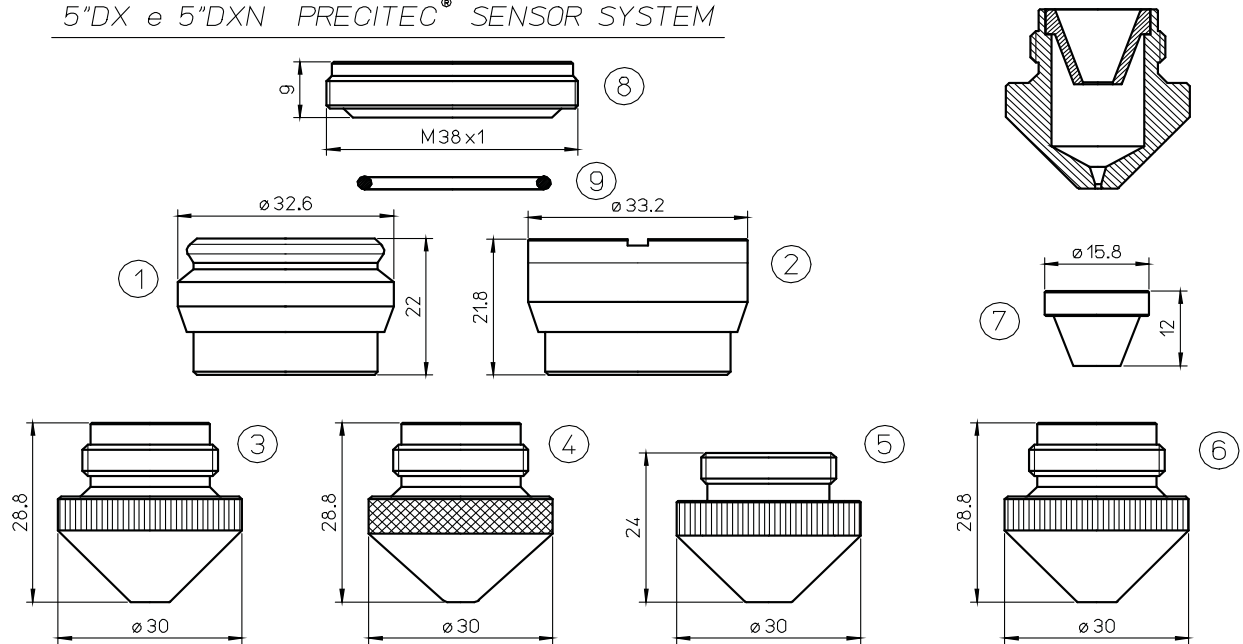




POS	II-VI P/N	OEM P/N	DESCRIPTION
1	AL40	280565-P0497-605-00001-29100106	PRECITEC® ORIG. NOZ. HOLDER KT M1.5"DXN - CERAMIC
2	AL130	281146-P0380-211-00001-29100033	PRECITEC® ORIG. NOZ. HOLDER IT M1.5" DZ - ALUMINUM
	AL130/S	281146-P0380-211-00001-29100033	PRECITEC® NOZZLE HOLDER IT M1.5" DZ - ALUMINUM
3	L365	280029-P0492-628-00010	PRECITEC® NOZZLE Ø 1.0
	L366	280030-P0492-629-00012	PRECITEC® NOZZLE Ø 1.2
4	L367	280028-P0492-627-00015	PRECITEC® NOZZLE Ø 1.5
5	L368	281384-P0492-630-00017	PRECITEC® NOZZLE Ø 1.7
	L369	280027-P0492-626-00020	PRECITEC® NOZZLE Ø 2.0
6	L370	280026-P0492-625-00025	PRECITEC® NOZZLE Ø 2.5
7	AL201	P0492-702-00002	PRECITEC® INSULATING RING - plastic
8	AL94	71366453	AMADA® O'RING FOR NOZZLE OUTER



5"DX e 5"DXN PRECITEC® SENSOR SYSTEM



TOLL FREE 888.558.1504 (USA and Canada) T. 724.352.1504 F. 724.352.4980 WWW.II-VIINFRARED.COM



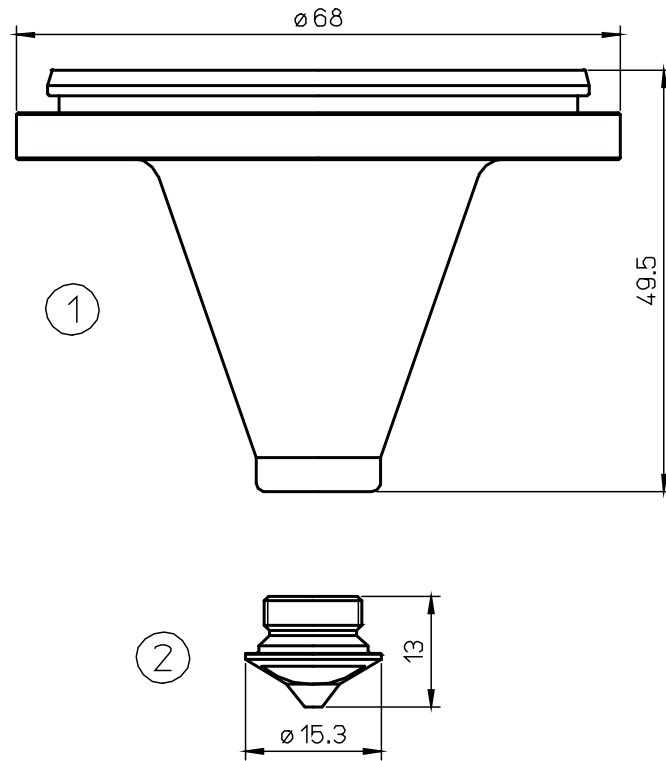
POS	II-VI P/N	OEM P/N	DESCRIPTION
1	AL35	280831-P0492-622-00002	PRECITEC® ORIG. NOZ.HOLDER KT A1.5"DX - CERAMIC
2	AL40	280565-P0497-605-00001-29100106	PRECITEC® ORIG. NOZ. HOLDER KT M1.5"DYN - CERAMIC
3	L163	281253-P0380-251-00010	PRECITEC® NOZZLE Ø 1.0
	L164	281254-P0380-252-00012	PRECITEC® NOZZLE Ø 1.2
	L165	281255-P0380-253-00015	PRECITEC® NOZZLE Ø 1.5
	L166	281270-P0380-254-00020	PRECITEC® NOZZLE Ø 2.0
	L167	281271-P0380-255-00025	PRECITEC® NOZZLE Ø 2.5
	L462	281271-2.7	PRECITEC® NOZZLE Ø 2.7
	L201	281271-3.0	PRECITEC® NOZZLE Ø 3.0
4	L887		PRECITEC® NOZZLE Ø 1.5
5	L921	281029L	PRECITEC® NOZZLE Ø 1.0
	L920		PRECITEC® NOZZLE Ø 2.0 W/COUNTER BORE
6	L259		PRECITEC® NOZ. Ø 1.0 FOR INNER - PATENT
	L260		PRECITEC® NOZ. Ø 1.2 FOR INNER - PATENT
	L261		PRECITEC® NOZ. Ø 1.5 FOR INNER
	L262		PRECITEC® NOZ. Ø 2.0 FOR INNER - PATENT
	L263		PRECITEC® NOZ. Ø 2.5 FOR INNER - PATENT
	L264		PRECITEC® NOZ. Ø 3.0 FOR INNER - PATENT
7	L157		LVD® INNER NOZZLE
8	AL201	PO492-702-00002	PRECITEC® INSULATING RING - plastic
9	AL94	71366453	AMADA® O'RING FOR NOZZLE OUTER





PRECITEC® ORIGINAL SPARE PARTS

POS	II-VI P/N	OEM P/N	DESCRIPTION
	P59451000001		PRECITEC® SENSOR SE HP 2.0" M
	P38011000002	P0380-110-00002	PRECITEC® SENSOR INSERT SE M1.5" D Z
	P59159000001		PRECITEC® ORIG. VV HP PREAMPLIFIER
	P49700200200		PRECITEC® ORIG. CABLE KE 200 gg
	P36015000300	KE 300 gw Z MM	PRECITEC® ORIG. SENSOR CABLE





PRECITEC® - ROFIN®

POS	II-VI P/N	OEM P/N	DESCRIPTION
1	AL244	P0587-440-00001	PRECITEC® NOZZLE HOLDER ZE SE YK Z F80 OS OUR PRODUCTION
2	L1012	P0587-842-00008	PRECITEC® NOZZLE Ø 0.8
	L1013	P0587-841-00010	PRECITEC® NOZZLE Ø 1.0
	L1014	P0587-846-00015	PRECITEC® NOZZLE Ø 1.5
	AL229	P49113000001	Precitec ceramic 1.5



FOR ALL OF YOUR REPLACEMENT OPTIC NEEDS

CO₂ LASER OPTICS/CONSUMABLE PRODUCTS
 CO₂ LASER CONSUMABLES
 NOZZLES & ACCESSORIES
 TRUMPF CUT LENSES
 MP-5 ULTRA-LOW ABSORPTION LENSES
 ASPHERIC LENSES
 MENISCUS LENSES
 PLANO-CONVEX LENSES
 CYLINDER LENSES
 MIRRORS
 SCANNING LASER SYSTEM OPTICS
 BEAM COMBINERS
 BEAM EXPANDERS
 BEAMSPLITTERS
 COLLIMATING OPTICS
 DIAMOND-TURNED SPECIALTY OPTICS
 REFLECTIVE PHASE RETARDERS
 PRISMS & RHOMBS
 MODULATORS
 WAVEPLATES
 THIN-FILM POLARIZERS
 POLARIZER-ANALYZER-ATTENUATOR

RESONATOR OPTICS
 OUTPUT COUPLERS
 REAR MIRRORS
 BAND-SELECTIVE OPTICS
 AR-COATED WINDOWS
 BREWSTER WINDOWS
 PROTECTIVE WINDOWS
 LENS STRESS ANALYZER(LSA)
 1 MICRON OPTICS
 1 MICRON OPTICAL COMPONENTS
 1 MICRON DEBRIS SHIELDS
 1 MICRON HPDDL BEAM INTEGRATORS
 1 MICRON OPTICAL COATINGS
 1 MICRON MATERIALS
 OPTICAL MATERIALS
 ZINC SELENIDE (ZNSE)
 ZINC SULFIDE (ZNS)
 ZINC SULFIDE MULTISPECTRAL (ZNS MS)
 GERMANIUM (GE)
 GALLIUM ARSENIDE (GAAS)
 MATERIAL BLANKS
 CVD DIAMOND SUBSTRATES
 IR THERMAL IMAGING OPTICS



TOLL FREE 888.558.1504 (USA and Canada) T. 724.352.1504 F. 724.352.4980 WWW.II-VIINFRARED.COM

All original equipment manufacturer's names, drawings, colors, trademarks and part numbers are used for identification purposes only and we are in no way implying that any of our products are original equipment parts. All parts advertised for sale in this catalog are made for and/or by II-VI Incorporated.

HOW TO ORDER



If you are unsure of what nozzles you need contact our trained staff for assistance. Customers in the USA and Canada can call toll-free: 888.558.1504. Customers outside of the USA and Canada can call: 724.352.1504. Customers in Europe and Asia can also contact a II-VI Subsidiary Office (see back cover for details).

* Catalog revised January 2014 and copyrighted by II-VI Incorporated.

TERMS AND CONDITIONS OF SALE

All orders received by II-VI Incorporated ("II-VI") are expressly conditioned upon the following conditions of sale:

1) Acceptance

Any additional or different terms set forth in any purchase order or other communication from Buyer are objected to and not binding upon II-VI unless and until accepted in writing by an authorized representative of II-VI.

2) Standard Warranty

II-VI warrants to the Buyer of each product of II-VI's own manufacture ("Product") that each Product will be free from defects in materials and workmanship subject to the following conditions:

The obligations of II-VI under this Standard Warranty shall be limited to either, at the option of II-VI: (1) the replacement or repair of any Product upon the shipment of such Product, freight prepaid by Buyer to the II-VI factory; or (2) the provision to Buyer of a credit against future purchases in an amount equal to the purchase price of the defective Product.

IN NO EVENT WILL II-VI BE LIABLE FOR ANY INCIDENTAL OR CONSEQUENTIAL DAMAGES OF BUYER. THE FOREGOING REMEDIES ARE THE SOLE AND EXCLUSIVE REMEDY OF BUYER FOR ANY BREACH OF WARRANTY UNDER THIS CONTRACT.

All claims under this Standard Warranty must be made within ONE (1) YEAR after the date on which the Product was delivered to Buyer. In the case of a replacement or repair of a Product, Buyer shall only ship a defective Product to II-VI after an authorized representative of II-VI has provided a Return Authorization (RA) number for such warranty claim. Returns will be subject to a restocking fee.

With respect to such returns, Buyer is solely responsible for properly packaging any Product to be returned to II-VI under this Standard Warranty. Products must be packaged in their original manufacturer's packaging or equivalent. Products must be packaged in separate shipping containers with Return Authorization (RA) numbers clearly marked on the outside of the shipping containers. If there are questions regarding proper packaging and shipping, contact II-VI for guidelines. II-VI will not be responsible for replacing or repairing any Product damaged while in transit to II-VI due to faulty or deficient packaging.

This Standard Warranty shall be void and shall not apply with respect to any Product which, upon inspection by II-VI, shows evidence of damage as a result of abuse, misuse, mishandling, accidental damage, alteration, negligent handling, or improper installation or application, or as a result of alteration or other causes beyond the control of II-VI.

This Standard Warranty shall not apply to goods or parts included in or supplied with Products; such goods or parts carry only such warranties, if any, as are provided by the manufacturers of such goods or parts, which warranties may be more restrictive than the Standard Warranty provided by II-VI.

With respect to any previously-purchased Product, II-VI shall have no obligation to install updates or upgrades to any components in such Product, even if the exclusion of such updates or upgrades of such components renders such Product obsolete when compared to a new Product of a substantially similar type.

THERE ARE NO WARRANTIES THAT EXTEND BEYOND THE DESCRIPTION CONTAINED HEREIN. THIS WARRANTY VOIDED AND EXCLUDES ANY AND ALL OTHER WARRANTIES OR REPRESENTATIONS, WHETHER EXPRESS OR IMPLIED OR ARISING UNDER ANY LAW, RELATING TO THE GOODS, INCLUDING BUT NOT LIMITED TO WARRANTIES OF MERCHANTABILITY AND/OR FITNESS FOR ANY PARTICULAR PURPOSES.

NO PERSON, FIRM, OR CORPORATION IS AUTHORIZED TO ASSUME ON BEHALF OF II-VI ANY ADDITIONAL OBLIGATION OR LIABILITY NOT EXPRESSLY PROVIDED HEREIN, EXCEPT IN A WRITING DULY EXECUTED BY AN OFFICER OF II-VI.

3) Limitation of Liability

In no event shall II-VI be liable for any incidental or consequential damages. The liability of II-VI on any claim of any kind shall in no event exceed the price of the Product which gives rise to the claim. Except as to title, all such liability shall terminate upon expiration of the warranty period of the Product.

The invalidity of any of the previous paragraphs shall not affect the remainder of this paragraph or any other paragraph in this section.

4) Patent Infringement

Buyer shall hold II-VI harmless against any expense or loss resulting from infringement of patents or trademarks arising from compliance with Buyer's designs or specifications.

5) Delivery and Title

Delivery dates are approximate and are based upon prompt receipt of all necessary information from Buyer. Under no circumstances does II-VI guarantee date of shipment.

Unless otherwise specified by II-VI, shipment will be made and title will pass F.O.B. point of shipment. II-VI shall ship Products as it deems appropriate unless instructed otherwise in writing by Buyer.

6) Risk of Loss

Risk of loss or damage shall pass to Buyer upon shipment. Loss or damage that occurs during shipping by a carrier selected by Buyer is Buyer's responsibility.

7) Uncontrollable Delays

II-VI shall not be liable for delivery delays due to causes beyond its reasonable control including, but not limited to, acts of God, acts of Buyer, acts of military authority, governmental priorities, labor strikes, and transportation delays.

8) Financial Conditions

If II-VI determines in good faith that the financial condition of Buyer at any time does not justify the continuation of production or shipment on the terms of payment originally specified, II-VI may require full or partial payment in advance. In the event of Buyer bankruptcy or insolvency, II-VI shall be entitled to cancel any outstanding order and shall receive reimbursement for its cancellation charges.

9) Payment Terms

Unless terms are specifically set forth on the Order Acknowledgement, Buyer shall pay at such time and such terms as specified in II-VI's original invoice. Any quotations shall be valid for the period stated on the quotation.

10) Cancellation

Buyer may not cancel its order after shipment has been made. Buyer may cancel its order prior to shipment only upon written notice and consent of II-VI. If II-VI consents to any such cancellation, Buyer may be required to pay cancellation charges which include lost profits and all expenses incurred in connection with the cancelled order.

11) Jurisdiction

The validity, performance, and all matters relating to the interpretation and effect of this agreement shall be governed by the laws of the Commonwealth of Pennsylvania.

TOLL FREE 888.558.1504 (USA and Canada) T. 724.352.1504 F. 724.352.4980 WWW.II-VI.INFRARED.COM

All original equipment manufacturer's names, drawings, colors, trademarks and part numbers are used for identification purposes only and we are in no way implying that any of our products are original equipment parts. All parts advertised for sale in this catalog are made for and/or by II-VI Incorporated.



WORLDWIDE SALES OFFICES

To place an order, contact a II-VI sales representative at any of the following locations, or visit www.iiviiinfrared.com/contact for our most complete and up-to-date contact information.

**II-VI INFRARED**

375 SAXONBURG BLVD
SAXONBURG, PA 16056
UNITED STATES
888-558-1504 (Toll free in USA)
T. 724-352-1504
F. 724-352-4980
info@iiviiinfrared.com

II-VI WEST

36570 BRIGGS ROAD
MURRIETA, CA 92563
USA
800.262.5273 (Toll free in USA)
T. 951.926.7640
F. 951.926.1984
info@iiviiinfrared.com

II-VI BENELUX N.V.

BAAIKENSSTRAAT 21/2
B-9240 ZELE
BELGIUM
T. 32 (0) 52 45 86 10
F. 32 (0) 52 45 86 11
sales@ii-vi.be

II-VI DEUTSCHLAND GmbH

BRUNNENWEG 19-21
D-64331 WEITERSTADT
GERMANY
T. 49 6150 54 39-226
F. 49 6150 54 39-200
info@ii-vi.de

II-VI ITALIA S.r.l.

VIA ANDREA COSTA
31-20131 MILANO
ITALY
T. 39 02 2828740
F. 39 02 26149131
info@ii-vi.it

II-VI SUISSE S.a.r.l.

MOULIN-DU-CHOC
1122 ROMANEL-SUR-MORGES
SWITZERLAND
T. 41 2186 902 52
F. 41 2186 993 08
info@ii-vi.ch

II-VI UK LTD.

21 BURLEY ROAD
OAKHAM, RUTLAND
LE15 6DH
UNITED KINGDOM
T. 44 1572 771 778
F. 44 1572 771 779
sales@ii-vi.co.uk

II-VI JAPAN

WBG MARIVE EAST 26F
NAKASE 2-6-1
MIHAMA-KU, CHIBA-SHI
CHIBA 261-7126
JAPAN
T. 81 43297 2693
F. 81 43297 3003
center@ii-vi.co.jp

II-VI SINGAPORE PTE. LTD.

BLK. 5012, TECHPLACE II
#04-07 & 05-07/12,
ANG MO KIO AVE. 5
SINGAPORE 569876
T. 65 6481 8215
F. 65 6481 8702
info@ii-vi.com.sg

II-VI INFRARED LASER(SUZHOU)

BLOCK D#01-01/02
NO. 5 XING HAN STREET
SUZHOU INDUSTRIAL PARK
SUZHOU, CHINA 215101
T. 86 512 6761 9295
F. 86 512 6767 1207
infosz@ii-vi.com.cn

II-VI KOREA

1502 WEST HANSHIN INTERVALLEY
707-34 YEOKSAM, GANGNAM
SEOUL, KOREA 135-731
T. 02-572-3395
F. 02-6499-3395
jchoi@ii-vi.com