

# IIVI INFRARED

www.iiviinfrared.com

## CO<sub>2</sub> LASER NOZZLES AND ACCESSORIES



PRIMA INDUSTRIE®



TOLL FREE 888.558.1504 (USA and Canada)  
TEL. 724.352.1504 FAX. 724.352.4980



## About II-VI INFRARED

In 1971, II-VI Incorporated began by exclusively producing the highest-quality cadmium telluride (CdTe) material available for manufacturing high-power industrial CO<sub>2</sub> laser optics. Today, we have diversified into producing zinc selenide (ZnSe) material, as well as into numerous business units including laser tools for materials processing (HIGHYAG); near-infrared optics, YAG components, and telecommunications components (VLOC); fiber optics, projection and display optics, DPSS laser, crystal materials, and other photonics products (Photop); defense and aerospace optics (Exotic Electro-Optics); tellurium and selenium products (PRM); thermoelectric cooling devices (Marlow Industries); silicon carbide (II-VI WBG); and advanced materials development (II-VI AMDC). Given this diversity of II-VI Incorporated's business units, we have thus christened our original IR materials and optics business unit II-VI Infrared.

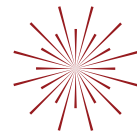
As II-VI Incorporated continues to grow, II-VI Infrared focuses on the company's original, industry-leading products: infrared and CO<sub>2</sub> laser optics and materials. And thanks to decades of innovation in zinc selenide (ZnSe) and zinc sulfide (ZnS) materials processing, thin-film coating, precision diamond turning, and finished optics fabrication, II-VI Infrared is the world leader in CO<sub>2</sub> laser optics, delivering an unbeatable combination of innovation, quality, and expertise. II-VI Infrared also delivers the largest vertically integrated CO<sub>2</sub> laser optics manufacturing process -- from raw materials to finished coated products -- in the world.

An optics foundry to CO<sub>2</sub> laser original equipment manufacturers (OEMs) the world over, consistently building optics to spec with consistent performance and quality, II-VI Infrared's products range from replacement CO<sub>2</sub> laser optics and nozzles to lenses, partial reflectors, windows, beamsplitters, mirrors, beam expanders, reflective phase retarders, scanning-laser system optics, diamond-turned custom optics, IR optical materials (ZnSe, ZnS, CVD Diamond), and more. Our products and reputation make us the number-one supplier to OEMs of CO<sub>2</sub> laser systems worldwide, while our capabilities are without rival in the industry.

Our diamond-turning facility is among the largest and most advanced in the world, offering services such as flycutting and multiple-axis turning, as well as fast and slow tool servos for custom optics. Single-point diamond-turning is used in finishing transmissive optics and mirrors in a variety of metals and IR materials.

Major investments in computer design programs, thin film evaporation equipment, clean rooms, and QA testing facilities enable us to offer a broad range of IR thin-film coatings. II-VI Infrared is known for designing and producing consistently low-absorption coatings for high-power CO<sub>2</sub> laser optics. Additionally, our talented and experienced engineering team using optical design software and CAD systems, designs and builds standard and custom optics as well as specialized mounts, components, and electro-optic assemblies.

Our quality assurance program includes comprehensive testing, documentation, and statistical analysis to ensure that each optic and component performs to customer requirements.



**PRIMA INDUSTRIE®**

**CONTENTS**



3-4



5-6



7-8



9-10

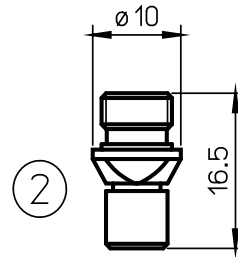
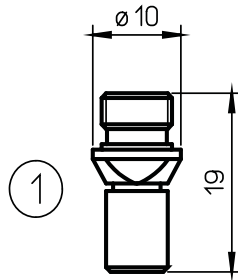


11-12



13-14





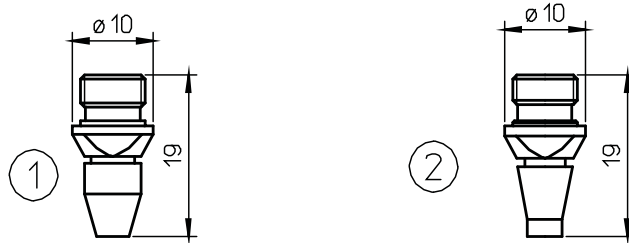


POS	II-VI P/N	OEM P/N	DESCRIPTION
1	L70	490.76.102	PRIMA I.® NOZZLE Ø 0.3 CYLINDRICAL BRASS
	L3070	490.76.102	PRIMA I.® NOZZLE Ø 0.3 CYLINDRICAL BRASS
	L74		PRIMA I.® NOZZLE Ø 1.0 BRASS CYLINDRICAL
	L3074		PRIMA I.® NOZZLE Ø 1.0 BRASS CYLINDRICAL
	L418		PRIMA I.® NOZZLE Ø 1.0 COPPER CYLINDRICAL
	L30418		PRIMA I.® NOZZLE Ø 1.0 COPPER CYLINDRICAL
	L416		PRIMA I.® NOZZLE Ø 1.2 COPPER CYLINDRICAL
	L30416		PRIMA I.® NOZZLE Ø 1.2 COPPER CYLINDRICAL
	L54	485.73.321	PRIMA I.® NOZZLE Ø 1.5 BRASS CYLINDRICAL
	L3054	485.73.321	PRIMA I.® NOZZLE Ø 1.5 BRASS CYLINDRICAL
	L419		PRIMA I.® NOZZLE Ø 1.5 COPPER CYLINDRICAL
	L30419		PRIMA I.® NOZZLE Ø 1.5 COPPER CYLINDRICAL
	L417		PRIMA I.® NOZZLE Ø 1.7 COPPER CYLINDRICAL
	L30417		PRIMA I.® NOZZLE Ø 1.7 COPPER CYLINDRICAL
	L55	485.73.322	PRIMA I.® NOZZLE Ø 2.0 BRASS CYLINDRICAL
	L3055	485.73.322	PRIMA I.® NOZZLE Ø 2.0 BRASS CYLINDRICAL
	L420		PRIMA I.® NOZZLE Ø 2.0 COPPER CYLINDRICAL
	L30420		PRIMA I.® NOZZLE Ø 2.0 COPPER CYLINDRICAL
	L204	485.73.323	PRIMA I.® NOZZLE Ø 2.5 BRASS CYLINDRICAL
	L30204	485.73.323	PRIMA I.® NOZZLE Ø 2.5 BRASS CYLINDRICAL
	L421		PRIMA I.® NOZZLE Ø 2.5 COPPER CYLINDRICAL
	L30421		PRIMA I.® NOZZLE Ø 2.5 COPPER CYLINDRICAL
	L205	485.73.324	PRIMA I.® NOZZLE Ø 3.0 BRASS CYLINDRICAL
	L30205	485.73.324	PRIMA I.® NOZZLE Ø 3.0 BRASS CYLINDRICAL
	L422		PRIMA I.® NOZZLE Ø 3.0 COPPER CYLINDRICAL
	L30422		PRIMA I.® NOZZLE Ø 3.0 COPPER CYLINDRICAL
	L418X		PRIMA I.® NOZZLE Ø 1.0 CP
	L30418X		PRIMA I.® NOZZLE Ø 1.0 CP
	L416X		PRIMA I.® NOZZLE Ø 1.2 CP
	L30416X		PRIMA I.® NOZZLE Ø 1.2 CP
	L419X	485.73.421	PRIMA I.® NOZZLE Ø 1.5 CP
	L30419X	485.73.421	PRIMA I.® NOZZLE Ø 1.5 CP
	L417X		PRIMA I.® NOZZLE Ø 1.7 CP
L30417X		PRIMA I.® NOZZLE Ø 1.7 CP	
L420X	485.73.422	PRIMA I.® NOZZLE Ø 2.0 CP	
L30420X	485.73.422	PRIMA I.® NOZZLE Ø 2.0 CP	
L421X	485.73.423	PRIMA I.® NOZZLE Ø 2.5 CP	
L30421X	485.73.423	PRIMA I.® NOZZLE Ø 2.5 CP	
L422X	485.73.424	PRIMA I.® NOZZLE Ø 3.0 CP	
L30422X	485.73.424	PRIMA I.® NOZZLE Ø 3.0 CP	
2	L1246	490.1N.302	PRIMA I.® NOZZLE Ø 2.5 BRASS SHORT
	L301246	490.1N.302	PRIMA I.® NOZZLE Ø 2.5 BRASS SHORT

CP = CHROME PLATED

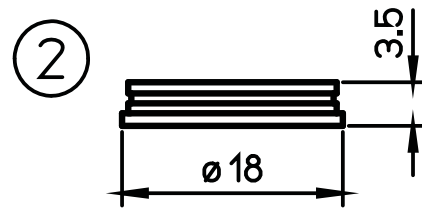
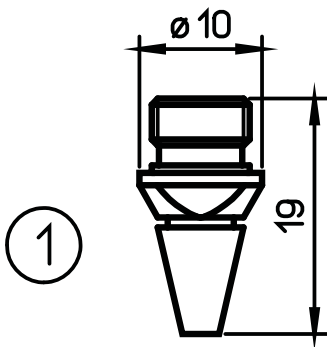
**TOLL FREE 888.558.1504 (USA and Canada) T. 724.352.1504 F. 724.352.4980 WWW.IIVIINFRARED.COM**

All original equipment manufacturer's names, drawings, colors, trademarks and part numbers are used for identification purposes only and we are in no way implying that any of our products are original equipment parts. All parts advertised for sale in this catalog are made for and/or by II-VI Incorporated.





POS	II-VI P/N	OEM P/N	DESCRIPTION
1	L631		PRIMA I.® NOZZLE Ø 0.3
	L30631		PRIMA I.® NOZZLE Ø 0.3
	L632		PRIMA I.® NOZZLE Ø 1.0
	L30632		PRIMA I.® NOZZLE Ø 1.0
	L637		PRIMA I.® NOZZLE Ø 1.2
	L30637		PRIMA I.® NOZZLE Ø 1.2
	L633		PRIMA I.® NOZZLE Ø 1.5
	L30633		PRIMA I.® NOZZLE Ø 1.5
	L638		PRIMA I.® NOZZLE Ø 1.7
	L30638		PRIMA I.® NOZZLE Ø 1.7
	L634		PRIMA I.® NOZZLE Ø 2.0
	L30634		PRIMA I.® NOZZLE Ø 2.0
	L635		PRIMA I.® NOZZLE Ø 2.5
	L30635		PRIMA I.® NOZZLE Ø 2.5
	L636		PRIMA I.® NOZZLE Ø 3.0
	L30636		PRIMA I.® NOZZLE Ø 3.0
2	L1231X	485.73.455	PRIMA I.® NOZZLE Ø 0.3 CP CON-CYL
	L301231X	485.73.455	PRIMA I.® NOZZLE Ø 0.3 CP CON-CYL
	L1235X	485.73.451	PRIMA I.® NOZZLE Ø 1.5 CP CON-CYL
	L301235X	485.73.451	PRIMA I.® NOZZLE Ø 1.5 CP CON-CYL
	L1236X	485.73.452	PRIMA I.® NOZZLE Ø 2.0 CP CON-CYL
	L301236X	485.73.452	PRIMA I.® NOZZLE Ø 2.0 CP CON-CYL
	L1237X	485.73.453	PRIMA I.® NOZZLE Ø 2.5 CP CON-CYL
	L301237X	485.73.453	PRIMA I.® NOZZLE Ø 2.5 CP CON-CYL



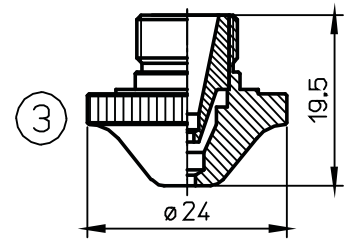
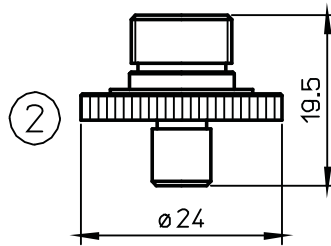
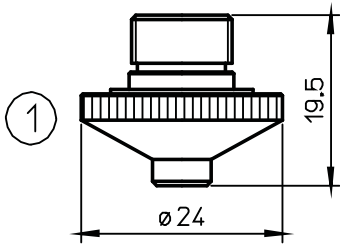




POS	II-VI P/N	OEM P/N	DESCRIPTION
1	L62	490.76.103	PRIMA I.® NOZZLE Ø 0.3 CONICAL BRASS
	L3062	490.76.103	PRIMA I.® NOZZLE Ø 0.3 CONICAL BRASS
	L450		PRIMA I.® NOZZLE Ø 1.0 CONICAL COPPER
	L30450		PRIMA I.® NOZZLE Ø 1.0 CONICAL COPPER
	L451		PRIMA I.® NOZZLE Ø 1.2 CONICAL COPPER
	L30451		PRIMA I.® NOZZLE Ø 1.2 CONICAL COPPER
	L206	485.73.331	PRIMA I.® NOZZLE Ø 1.5 CONICAL BRASS
	L30206	485.73.331	PRIMA I.® NOZZLE Ø 1.5 CONICAL BRASS
	L424		PRIMA I.® NOZZLE Ø 1.5 CONICAL COPPER
	L30424		PRIMA I.® NOZZLE Ø 1.5 CONICAL COPPER
	L426		PRIMA I.® NOZZLE Ø 1.7 CONICAL COPPER
	L30426		PRIMA I.® NOZZLE Ø 1.7 CONICAL COPPER
	L57	485.73.333	PRIMA I.® NOZZLE Ø 2.0 CONICAL BRASS
	L3057	485.73.333	PRIMA I.® NOZZLE Ø 2.0 CONICAL BRASS
	L425		PRIMA I.® NOZZLE Ø 2.0 CONICAL COPPER
	L30425		PRIMA I.® NOZZLE Ø 2.0 CONICAL COPPER
	L449		PRIMA I.® NOZZLE Ø 2.5 CONICAL BRASS
	L30449		PRIMA I.® NOZZLE Ø 2.5 CONICAL BRASS
	L427		PRIMA I.® NOZZLE Ø 2.5 CONICAL COPPER
	L30427		PRIMA I.® NOZZLE Ø 2.5 CONICAL COPPER
	L630		PRIMA I.® NOZZLE Ø 3.0 CONICAL COPPER
	L30630		PRIMA I.® NOZZLE Ø 3.0 CONICAL COPPER
	L450X		PRIMA I.® NOZZLE Ø 1.0 CP
	L30450X		PRIMA I.® NOZZLE Ø 1.0 CP
	L451X		PRIMA I.® NOZZLE Ø 1.2 CP
	L30451X		PRIMA I.® NOZZLE Ø 1.2 CP
	L424X	485.73.431	PRIMA I.® NOZZLE Ø 1.5 CP
	L30424X	485.73.431	PRIMA I.® NOZZLE Ø 1.5 CP
	L426X		PRIMA I.® NOZZLE Ø 1.7 CP
	L30426X		PRIMA I.® NOZZLE Ø 1.7 CP
	L425X	485.73.433	PRIMA I.® NOZZLE Ø 2.0 CP
	L30425X	485.73.433	PRIMA I.® NOZZLE Ø 2.0 CP
L427X		PRIMA I.® NOZZLE Ø 2.5 CP	
L30427X		PRIMA I.® NOZZLE Ø 2.5 CP	
L630X	485.73.43x	PRIMA I.® NOZZLE Ø 3.0 CP	
L30630X	485.73.43x	PRIMA I.® NOZZLE Ø 3.0 CP	
2	AL136	480.73.107	PRIMA I.® INSULATING RING-PLASTIC - HEAD 5" - ID 10
	AL163		PRIMA I.® INSULATING RING-PLASTIC - HEAD 7.5" - ID 11

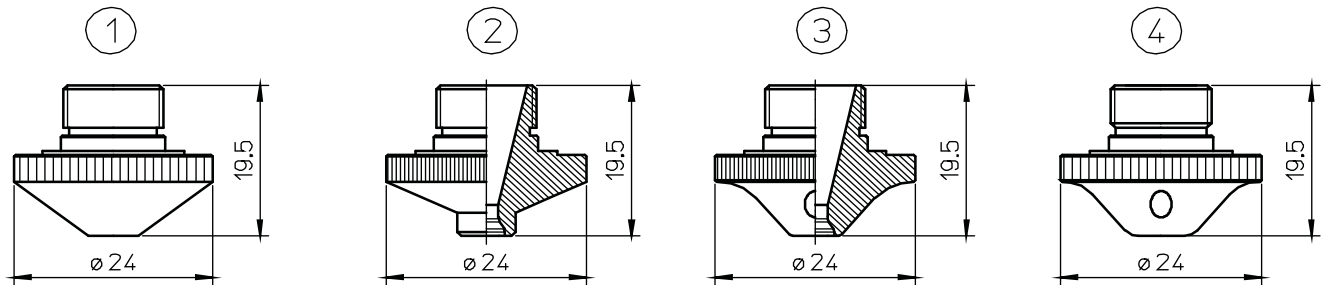
TOLL FREE 888.558.1504 (USA and Canada) T. 724.352.1504 F. 724.352.4980 WWW.IIVIINFRARED.COM

All original equipment manufacturer's names, drawings, colors, trademarks and part numbers are used for identification purposes only and we are in no way implying that any of our products are original equipment parts. All parts advertised for sale in this catalog are made for and/or by II-VI Incorporated.





POS	II-VI P/N	OEM P/N	DESCRIPTION
1	L532		PRIMA I.® NOZZLE Ø 0.8
	L312		PRIMA I.® NOZZLE Ø 1.0
	L362		PRIMA I.® NOZZLE Ø 1.2
	L207	LW6.1E.111	PRIMA I.® NOZZLE Ø 1.5
	L208	LW6.1E.112	PRIMA I.® NOZZLE Ø 2.0
	L209	LW6.1E.113	PRIMA I.® NOZZLE Ø 2.5
	L210	LW6.1E.114	PRIMA I.® NOZZLE Ø 3.0
	L312X		PRIMA I.® NOZZLE Ø 1.0 CP
	L362X		PRIMA I.® NOZZLE Ø 1.2 CP
	L207X	LW6.1E.111	PRIMA I.® NOZZLE Ø 1.5 CP
	L208X	LW6.1E.112	PRIMA I.® NOZZLE Ø 2.0 CP
	L209X	LW6.1E.113	PRIMA I.® NOZZLE Ø 2.5 CP
	L210X	LW6.1E.114	PRIMA I.® NOZZLE Ø 3.0 CP
2	L608	LW6.1G.500-LW6.1G.600	PRIMA I.® NOZZLE Ø 1.5
	L609	LW6.1G.501-LW6.1G.601	PRIMA I.® NOZZLE Ø 2.0
	L610	LW6.1G.502-LW6.1G.602	PRIMA I.® NOZZLE Ø 2.5
	L611	LW6.1G.503-LW6.1G.603	PRIMA I.® NOZZLE Ø 3.0
	L609X	LW6.1G.501-LW6.1G.601	PRIMA I.® NOZZLE Ø 2.0 CP
	L610X	LW6.1G.502-LW6.1G.602	PRIMA I.® NOZZLE Ø 2.5 CP
	L611X	LW6.1G.503-LW6.1G.603	PRIMA I.® NOZZLE Ø 3.0 CP
3	L905X	1059.70000.010	PRIMA I.® DOUBLE NOZZLE Ø 0.8 CP
	L900X	1059.70000.003	PRIMA I.® DOUBLE NOZZLE Ø 1.0 CP
	L907X	1059.70000.008	PRIMA I.® DOUBLE NOZZLE Ø 1.25 CP
	L901X	1059.70000.004	PRIMA I.® DOUBLE NOZZLE Ø 1.5 CP.
	L906X	1059.70000.009	PRIMA I.® DOUBLE NOZZLE Ø 1.75 CP
	L902X	1059.70000.005	PRIMA I.® DOUBLE NOZZLE Ø 2.0 CP
	L903X	1059.70000.006	PRIMA I.® DOUBLE NOZZLE Ø 2.5 CP
	L904X	1059.70000.007	PRIMA I.® DOUBLE NOZZLE Ø 3.0 CP
	L115	601-614-001	1.5mm nozzle

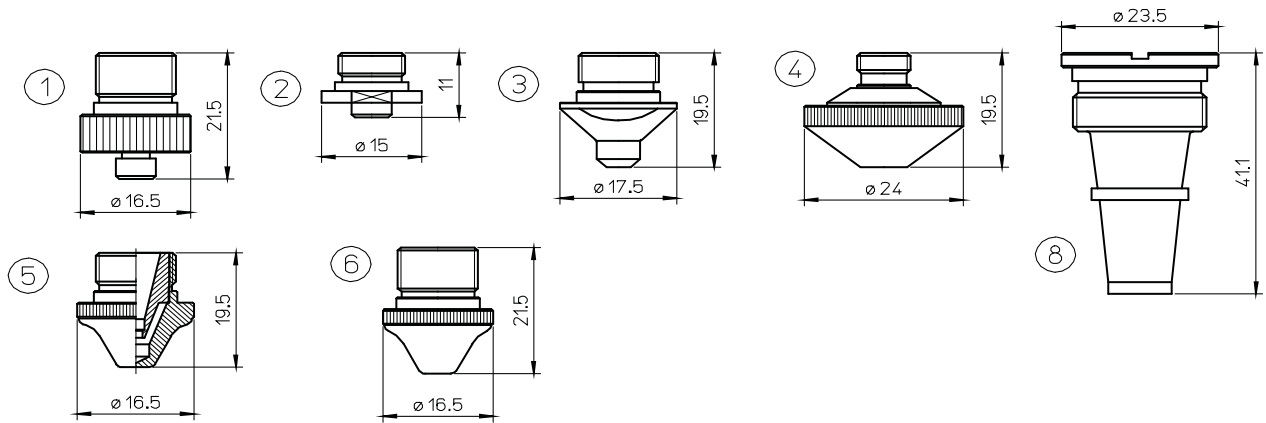


TOLL FREE 888.558.1504 (USA and Canada) T. 724.352.1504 F. 724.352.4980 [WWW.IIVIINFRARED.COM](http://WWW.IIVIINFRARED.COM)

All original equipment manufacturer's names, drawings, colors, trademarks and part numbers are used for identification purposes only and we are in no way implying that any of our products are original equipment parts. All parts advertised for sale in this catalog are made for and/or by II-VI Incorporated.



POS	II-VI P/N	OEM P/N	DESCRIPTION
1	L862		PRIMA I.® NOZZLE Ø 1.0
	L863		PRIMA I.® NOZZLE Ø 1.5
	L864		PRIMA I.® NOZZLE Ø 2.0
	L865		PRIMA I.® NOZZLE Ø 2.5
	L866		PRIMA I.® NOZZLE Ø 3.0
2	L1165X	LW6.1G.650	PRIMA I.® NOZZLE Ø 3.0 CP
3	L1208X	LW6. 1G. 608	PRIMA I.® NOZZLE Ø 3.0 DL TYPE CP
	L1209X	LW6. 1G. 609	PRIMA I.® NOZZLE Ø 3.5 DL TYPE CP
4	L1167X	LW6. 1G. 604	PRIMA I.® NOZZLE Ø 1.5 CP
	L1166X		PRIMA I.® NOZZLE Ø 1.75 CP
	L1168X	LW6. 1G. 605	PRIMA I.® NOZZLE Ø 2.0 CP
	L1169X	LW6. 1G. 606	PRIMA I.® NOZZLE Ø 2.5 CP
	L1170X	LW6. 1G. 607	PRIMA I.® NOZZLE Ø 3.0 CP





POS	II-VI P/N	OEM P/N	DESCRIPTION
1	L1175	787.04.508	PRIMA I.® NOZZLE Ø 1.5
	L1176	787.04.509	PRIMA I.® NOZZLE Ø 2.0
	L1177	787.04.510	PRIMA I.® NOZZLE Ø 2.5
	L1178	787.04.511	PRIMA I.® NOZZLE Ø 3.0
2	L534		PRIMA I.® NOZZLE Ø 1.2
	L535		PRIMA I.® NOZZLE Ø 1.5
	L536		PRIMA I.® NOZZLE Ø 2.0
	L537		PRIMA I.® NOZZLE Ø 2.5
3	L922	750.42.559	PRIMA I.® NOZZLE Ø 0.3
	L891		PRIMA I.® NOZZLE Ø 1.0
	L892	750.42.550	PRIMA I.® NOZZLE Ø 1.5
	L893	750.42.551	PRIMA I.® NOZZLE Ø 2.0
	L894	750.42.552	PRIMA I.® NOZZLE Ø 2.5
	L895	750.42.553	PRIMA I.® NOZZLE Ø 3.0
	L891X		PRIMA I.® NOZZLE Ø 1.0 CP
	L892X	750.42.550	PRIMA I.® NOZZLE Ø 1.5 CP
	L893X	750.42.551	PRIMA I.® NOZZLE Ø 2.0 CP
	L894X	750.42.552	PRIMA I.® NOZZLE Ø 2.5 CP
	L895X	750.42.553	PRIMA I.® NOZZLE Ø 3.0 CP
4	L875		PRIMA I.® L.W. NOZZLE Ø 1.0
	L876		PRIMA I.® L.W. NOZZLE Ø 1.5
	L877	LW3.1E.102	PRIMA I.® L.W. NOZZLE Ø 2.0
	L878	LW3.1E.103	PRIMA I.® L.W. NOZZLE Ø 2.5
	L879	LW3.1E.104	PRIMA I.® L.W. NOZZLE Ø 3.0
5	L1239X	520.17.111	PRIMA I.® DOUBLE NOZZLE Ø 1.5 CP
	L1240X	520.17.114	PRIMA I.® DOUBLE NOZZLE Ø 2.0 CP
	L1241X	750.43.560	PRIMA I.® DOUBLE NOZZLE Ø 2.5 CP
	L1242X	750.43.561	PRIMA I.® DOUBLE NOZZLE Ø 3.0 CP
	L1243X	750.43.562	PRIMA I.® DOUBLE NOZZLE Ø 3.5 CP
6	L1211X	787.04.515	PRIMA I.® NOZZLE Ø 1.25 CP
	L1212X	787.04.512	PRIMA I.® NOZZLE Ø 1.5 CP
	L1217X	787.04.516	PRIMA I.® NOZZLE Ø 1.75 CP
	L1213X	787.04.513	PRIMA I.® NOZZLE Ø 2.0 CP
	L1214X	787.04.514	PRIMA I.® NOZZLE Ø 2.5 CP
8	L1198		PRIMA I.® OPTIMO WELDING NOZZLE COPPER

TOLL FREE 888.558.1504 (USA and Canada) T. 724.352.1504 F. 724.352.4980 WWW.IIVIINFRARED.COM

All original equipment manufacturer's names, drawings, colors, trademarks and part numbers are used for identification purposes only and we are in no way implying that any of our products are original equipment parts. All parts advertised for sale in this catalog are made for and/or by II-VI Incorporated.



FOR ALL OF YOUR REPLACEMENT OPTIC NEEDS

CO<sub>2</sub> LASER OPTICS/CONSUMABLE PRODUCTS  
 CO<sub>2</sub> LASER CONSUMABLES  
 NOZZLES & ACCESSORIES  
 TRUMPF CUT LENSES  
 MP-5 ULTRA-LOW ABSORPTION LENSES  
 ASPHERIC LENSES  
 MENISCUS LENSES  
 PLANO-CONVEX LENSES  
 CYLINDER LENSES  
 MIRRORS  
 SCANNING LASER SYSTEM OPTICS  
 BEAM COMBINERS  
 BEAM EXPANDERS  
 BEAMSPLITTERS  
 COLLIMATING OPTICS  
 DIAMOND-TURNED SPECIALTY OPTICS  
 REFLECTIVE PHASE RETARDERS  
 PRISMS & RHOMBS  
 MODULATORS  
 WAVEPLATES  
 THIN-FILM POLARIZERS  
 POLARIZER-ANALYZER-ATTENUATOR

RESONATOR OPTICS  
 OUTPUT COUPLERS  
 REAR MIRRORS  
 BAND-SELECTIVE OPTICS  
 AR-COATED WINDOWS  
 BREWSTER WINDOWS  
 PROTECTIVE WINDOWS  
 LENS STRESS ANALYZER(LSA)  
 1 MICRON OPTICS  
 1 MICRON OPTICAL COMPONENTS  
 1 MICRON DEBRIS SHIELDS  
 1 MICRON HPDDL BEAM INTEGRATORS  
 1 MICRON OPTICAL COATINGS  
 1 MICRON MATERIALS  
 OPTICAL MATERIALS  
 ZINC SELENIDE (ZNSE)  
 ZINC SULFIDE (ZNS)  
 ZINC SULFIDE MULTISPECTRAL (ZNS MS)  
 GERMANIUM (GE)  
 GALLIUM ARSENIDE (GAAS)  
 MATERIAL BLANKS  
 CVD DIAMOND SUBSTRATES  
 IR THERMAL IMAGING OPTICS



TOLL FREE 888.558.1504 (USA and Canada) T. 724.352.1504 F. 724.352.4980 WWW.II-VIINFRARED.COM

All original equipment manufacturer's names, drawings, colors, trademarks and part numbers are used for identification purposes only and we are in no way implying that any of our products are original equipment parts. All parts advertised for sale in this catalog are made for and/or by II-VI Incorporated.



# HOW TO ORDER



If you are unsure of what nozzles you need contact our trained staff for assistance. Customers in the USA and Canada can call toll-free: 888.558.1504. Customers outside of the USA and Canada can call: 724.352.1504. Customers in Europe and Asia can also contact a II-VI Subsidiary Office (see back cover for details).

\* Catalog revised January 2014 and copyrighted by II-VI Incorporated.

# TERMS AND CONDITIONS OF SALE

All orders received by II-VI Incorporated ("II-VI") are expressly conditioned upon the following conditions of sale:

## 1) Acceptance

Any additional or different terms set forth in any purchase order or other communication from Buyer are objected to and not binding upon II-VI unless and until accepted in writing by an authorized representative of II-VI.

## 2) Standard Warranty

II-VI warrants to the Buyer of each product of II-VI's own manufacture ("Product") that each Product will be free from defects in materials and workmanship subject to the following conditions:

The obligations of II-VI under this Standard Warranty shall be limited to either, at the option of II-VI: (1) the replacement or repair of any Product upon the shipment of such Product, freight prepaid by Buyer to the II-VI factory; or (2) the provision to Buyer of a credit against future purchases in an amount equal to the purchase price of the defective Product.

IN NO EVENT WILL II-VI BE LIABLE FOR ANY INCIDENTAL OR CONSEQUENTIAL DAMAGES OF BUYER. THE FOREGOING REMEDIES ARE THE SOLE AND EXCLUSIVE REMEDY OF BUYER FOR ANY BREACH OF WARRANTY UNDER THIS CONTRACT.

All claims under this Standard Warranty must be made within ONE (1) YEAR after the date on which the Product was delivered to Buyer. In the case of a replacement or repair of a Product, Buyer shall only ship a defective Product to II-VI after an authorized representative of II-VI has provided a Return Authorization (RA) number for such warranty claim. Returns will be subject to a restocking fee.

With respect to such returns, Buyer is solely responsible for properly packaging any Product to be returned to II-VI under this Standard Warranty. Products must be packaged in their original manufacturer's packaging or equivalent. Products must be packaged in separate shipping containers with Return Authorization (RA) numbers clearly marked on the outside of the shipping containers. If there are questions regarding proper packaging and shipping, contact II-VI for guidelines. II-VI will not be responsible for replacing or repairing any Product damaged while in transit to II-VI due to faulty or deficient packaging.

This Standard Warranty shall be void and shall not apply with respect to any Product which, upon inspection by II-VI, shows evidence of damage as a result of abuse, misuse, mishandling, accidental damage, alteration, negligent handling, or improper installation or application, or as a result of alteration or other causes beyond the control of II-VI.

This Standard Warranty shall not apply to goods or parts included in or supplied with Products; such goods or parts carry only such warranties, if any, as are provided by the manufacturers of such goods or parts, which warranties may be more restrictive than the Standard Warranty provided by II-VI.

With respect to any previously-purchased Product, II-VI shall have no obligation to install updates or upgrades to any components in such Product, even if the exclusion of such updates or upgrades of such components renders such Product obsolete when compared to a new Product of a substantially similar type.

THERE ARE NO WARRANTIES THAT EXTEND BEYOND THE DESCRIPTION CONTAINED HEREIN. THIS WARRANTY VOIDED AND EXCLUDES ANY AND ALL OTHER WARRANTIES OR REPRESENTATIONS, WHETHER EXPRESS OR IMPLIED OR ARISING UNDER ANY LAW, RELATING TO THE GOODS, INCLUDING BUT NOT LIMITED TO WARRANTIES OF MERCHANTABILITY AND/OR FITNESS FOR ANY PARTICULAR PURPOSES.

NO PERSON, FIRM, OR CORPORATION IS AUTHORIZED TO ASSUME ON BEHALF OF II-VI ANY ADDITIONAL OBLIGATION OR LIABILITY NOT EXPRESSLY PROVIDED HEREIN, EXCEPT IN A WRITING DULY EXECUTED BY AN OFFICER OF II-VI.

## 3) Limitation of Liability

In no event shall II-VI be liable for any incidental or consequential damages. The liability of II-VI on any claim of any kind shall in no event exceed the price of the Product which gives rise to the claim. Except as to title, all such liability shall terminate upon expiration of the warranty period of the Product.

The invalidity of any of the previous paragraphs shall not affect the remainder of this paragraph or any other paragraph in this section.

## 4) Patent Infringement

Buyer shall hold II-VI harmless against any expense or loss resulting from infringement of patents or trademarks arising from compliance with Buyer's designs or specifications.

## 5) Delivery and Title

Delivery dates are approximate and are based upon prompt receipt of all necessary information from Buyer. Under no circumstances does II-VI guarantee date of shipment.

Unless otherwise specified by II-VI, shipment will be made and title will pass F.O.B. point of shipment. II-VI shall ship Products as it deems appropriate unless instructed otherwise in writing by Buyer.

## 6) Risk of Loss

Risk of loss or damage shall pass to Buyer upon shipment. Loss or damage that occurs during shipping by a carrier selected by Buyer is Buyer's responsibility.

## 7) Uncontrollable Delays

II-VI shall not be liable for delivery delays due to causes beyond its reasonable control including, but not limited to, acts of God, acts of Buyer, acts of military authority, governmental priorities, labor strikes, and transportation delays.

## 8) Financial Conditions

If II-VI determines in good faith that the financial condition of Buyer at any time does not justify the continuation of production or shipment on the terms of payment originally specified, II-VI may require full or partial payment in advance. In the event of Buyer bankruptcy or insolvency, II-VI shall be entitled to cancel any outstanding order and shall receive reimbursement for its cancellation charges.

## 9) Payment Terms

Unless terms are specifically set forth on the Order Acknowledgement, Buyer shall pay at such time and such terms as specified in II-VI's original invoice. Any quotations shall be valid for the period stated on the quotation.

## 10) Cancellation

Buyer may not cancel its order after shipment has been made. Buyer may cancel its order prior to shipment only upon written notice and consent of II-VI. If II-VI consents to any such cancellation, Buyer may be required to pay cancellation charges which include lost profits and all expenses incurred in connection with the cancelled order.

## 11) Jurisdiction

The validity, performance, and all matters relating to the interpretation and effect of this agreement shall be governed by the laws of the Commonwealth of Pennsylvania.

TOLL FREE 888.558.1504 (USA and Canada) T. 724.352.1504 F. 724.352.4980 WWW.II-VI.INFRARED.COM

All original equipment manufacturer's names, drawings, colors, trademarks and part numbers are used for identification purposes only and we are in no way implying that any of our products are original equipment parts. All parts advertised for sale in this catalog are made for and/or by II-VI Incorporated.



## WORLDWIDE SALES OFFICES

To place an order, contact a II-VI sales representative at any of the following locations, or visit [www.iiviiinfrared.com/contact](http://www.iiviiinfrared.com/contact) for our most complete and up-to-date contact information.

**II-VI INFRARED**

375 SAXONBURG BLVD  
SAXONBURG, PA 16056  
UNITED STATES  
888-558-1504 (Toll free in USA)  
T. 724-352-1504  
F. 724-352-4980  
[info@iiviiinfrared.com](mailto:info@iiviiinfrared.com)

**II-VI WEST**

36570 BRIGGS ROAD  
MURRIETA, CA 92563  
USA  
800.262.5273 (Toll free in USA)  
T. 951.926.7640  
F. 951.926.1984  
[info@iiviiinfrared.com](mailto:info@iiviiinfrared.com)

**II-VI BENELUX N.V.**

BAAIKENSSTRAAT 21/2  
B-9240 ZELE  
BELGIUM  
T. 32 (0) 52 45 86 10  
F. 32 (0) 52 45 86 11  
[sales@ii-vi.be](mailto:sales@ii-vi.be)

**II-VI DEUTSCHLAND GmbH**

BRUNNENWEG 19-21  
D-64331 WEITERSTADT  
GERMANY  
T. 49 6150 54 39-226  
F. 49 6150 54 39-200  
[info@ii-vi.de](mailto:info@ii-vi.de)

**II-VI ITALIA S.r.l.**

VIA ANDREA COSTA  
31-20131 MILANO  
ITALY  
T. 39 02 2828740  
F. 39 02 26149131  
[info@ii-vi.it](mailto:info@ii-vi.it)

**II-VI SUISSE S.a.r.l.**

MOULIN-DU-CHOC  
1122 ROMANEL-SUR-MORGES  
SWITZERLAND  
T. 41 2186 902 52  
F. 41 2186 993 08  
[info@ii-vi.ch](mailto:info@ii-vi.ch)

**II-VI UK LTD.**

21 BURLEY ROAD  
OAKHAM, RUTLAND  
LE15 6DH  
UNITED KINGDOM  
T. 44 1572 771 778  
F. 44 1572 771 779  
[sales@ii-vi.co.uk](mailto:sales@ii-vi.co.uk)

**II-VI JAPAN**

WBG MARIVE EAST 26F  
NAKASE 2-6-1  
MIHAMA-KU, CHIBA-SHI  
CHIBA 261-7126  
JAPAN  
T. 81 43297 2693  
F. 81 43297 3003  
[center@ii-vi.co.jp](mailto:center@ii-vi.co.jp)

**II-VI SINGAPORE PTE. LTD.**

BLK. 5012, TECHPLACE II  
#04-07 & 05-07/12,  
ANG MO KIO AVE. 5  
SINGAPORE 569876  
T. 65 6481 8215  
F. 65 6481 8702  
[info@ii-vi.com.sg](mailto:info@ii-vi.com.sg)

**II-VI INFRARED LASER(SUZHOU)**

BLOCK D#01-01/02  
NO. 5 XING HAN STREET  
SUZHOU INDUSTRIAL PARK  
SUZHOU, CHINA 215101  
T. 86 512 6761 9295  
F. 86 512 6767 1207  
[infosz@ii-vi.com.cn](mailto:infosz@ii-vi.com.cn)

**II-VI KOREA**

1502 WEST HANSHIN INTERVALLEY  
707-34 YEOKSAM, GANGNAM  
SEOUL, KOREA 135-731  
T. 02-572-3395  
F. 02-6499-3395  
[jchoi@ii-vi.com](mailto:jchoi@ii-vi.com)