

# II-VI INFRARED

www.iiviinfrared.com

## CO<sub>2</sub> LASER NOZZLES AND ACCESSORIES



TRUMPF®



TOLL FREE 888.558.1504 (USA and Canada)  
TEL. 724.352.1504 FAX. 724.352.4980

VOL. JA14



## About II-VI INFRARED

In 1971, II-VI Incorporated began by exclusively producing the highest-quality cadmium telluride (CdTe) material available for manufacturing high-power industrial CO<sub>2</sub> laser optics. Today, we have diversified into producing zinc selenide (ZnSe) material, as well as into numerous business units including laser tools for materials processing (HIGHYAG); near-infrared optics, YAG components, and telecommunications components (VLOC); fiber optics, projection and display optics, DPSS laser, crystal materials, and other photonics products (Photop); defense and aerospace optics (Exotic Electro-Optics); tellurium and selenium products (PRM); thermoelectric cooling devices (Marlow Industries); silicon carbide (II-VI WBG); and advanced materials development (II-VI AMDC). Given this diversity of II-VI Incorporated's business units, we have thus christened our original IR materials and optics business unit II-VI Infrared.

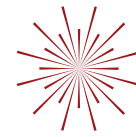
As II-VI Incorporated continues to grow, II-VI Infrared focuses on the company's original, industry-leading products: infrared and CO<sub>2</sub> laser optics and materials. And thanks to decades of innovation in zinc selenide (ZnSe) and zinc sulfide (ZnS) materials processing, thin-film coating, precision diamond turning, and finished optics fabrication, II-VI Infrared is the world leader in CO<sub>2</sub> laser optics, delivering an unbeatable combination of innovation, quality, and expertise. II-VI Infrared also delivers the largest vertically integrated CO<sub>2</sub> laser optics manufacturing process -- from raw materials to finished coated products -- in the world.

An optics foundry to CO<sub>2</sub> laser original equipment manufacturers (OEMs) the world over, consistently building optics to spec with consistent performance and quality, II-VI Infrared's products range from replacement CO<sub>2</sub> laser optics and nozzles to lenses, partial reflectors, windows, beamsplitters, mirrors, beam expanders, reflective phase retarders, scanning-laser system optics, diamond-turned custom optics, IR optical materials (ZnSe, ZnS, CVD Diamond), and more. Our products and reputation make us the number-one supplier to OEMs of CO<sub>2</sub> laser systems worldwide, while our capabilities are without rival in the industry.

Our diamond-turning facility is among the largest and most advanced in the world, offering services such as flycutting and multiple-axis turning, as well as fast and slow tool servos for custom optics. Single-point diamond-turning is used in finishing transmissive optics and mirrors in a variety of metals and IR materials.

Major investments in computer design programs, thin film evaporation equipment, clean rooms, and QA testing facilities enable us to offer a broad range of IR thin-film coatings. II-VI Infrared is known for designing and producing consistently low-absorption coatings for high-power CO<sub>2</sub> laser optics. Additionally, our talented and experienced engineering team using optical design software and CAD systems, designs and builds standard and custom optics as well as specialized mounts, components, and electro-optic assemblies.

Our quality assurance program includes comprehensive testing, documentation, and statistical analysis to ensure that each optic and component performs to customer requirements.



## TRUMPF® CONTENTS

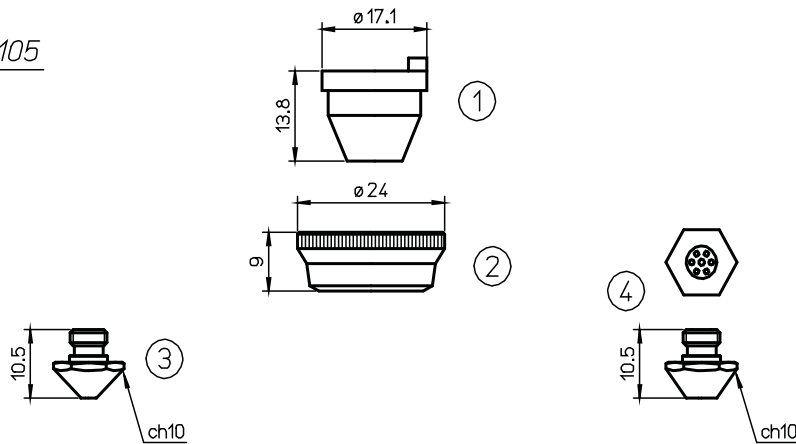
<p>LASER TLC 105</p> <p>3-4</p>	<p>11-12</p>				
<p>LASER TLC 105</p> <p>5-6</p>	<p>13-14</p>	<p>19-20</p>			
<p>LASER TLC 105</p> <p>7-8</p>	<p>15-16</p>	<p>21-22</p>	<p>27-28</p>		
<p>9-10</p>	<p>17-18</p>	<p><b>SPECIAL NOZZLES</b></p> <p>23-24</p>	<p>29-30</p>		
		<p>25-26</p>	<p>31-32</p>		<p>35-36</p>
		<p>33-34</p>		<p>37-38</p>	

TOLL FREE 888.558.1504 (USA and Canada) T. 724.352.1504 F. 724.352.4980 WWW.II-VIINFRARED.COM

All original equipment manufacturer's names, drawings, colors, trademarks and part numbers are used for identification purposes only and we are in no way implying that any of our products are original equipment parts. All parts advertised for sale in this catalog are made for and/or by II-VI Incorporated.



LASER TLC 105

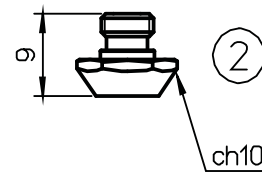
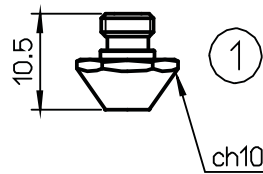




POS	II-VI P/N	OEM P/N	DESCRIPTION
1	AL53	280408-092405	TRUMPF® ORIG. NOZZLE HOLDER KT M1.5" KN
2	AL177	280550-P0494-940-00001	TRUMPF® ORIG. RING
3	L211	226939	TRUMPF® NOZZLE Ø 1.0
	L40211	226939	TRUMPF® NOZZLE Ø 1.0
	L212		TRUMPF® NOZZLE Ø 1.4
	L40212		TRUMPF® NOZZLE Ø 1.4
	L213		TRUMPF® NOZZLE Ø 1.7
	L40213		TRUMPF® NOZZLE Ø 1.7
	L211X	226939	TRUMPF® NOZZLE Ø 1.0 CP
	L40211X	226939	TRUMPF® NOZZLE Ø 1.0 CP
	L212X		TRUMPF® NOZZLE Ø 1.4 CP
	L40212X		TRUMPF® NOZZLE Ø 1.4 CP
	L213X		TRUMPF® NOZZLE Ø 1.7 CP
	L40213X		TRUMPF® NOZZLE Ø 1.7 CP
	L214		TRUMPF® NOZZLE Ø 1.0 HD
	L40214		TRUMPF® NOZZLE Ø 1.0 HD
	L215	226940	TRUMPF® NOZZLE Ø 1.4 HD
	L40215	226940	TRUMPF® NOZZLE Ø 1.4 HD
	L216	227144	TRUMPF® NOZZLE Ø 1.7 HD
	L40216	227144	TRUMPF® NOZZLE Ø 1.7 HD
	L214X		TRUMPF® NOZZLE Ø 1.0 HD CP
	L40214X		TRUMPF® NOZZLE Ø 1.0 HD CP
	L215X	226940	TRUMPF® NOZZLE Ø 1.4 HD CP
L40215X	226940	TRUMPF® NOZZLE Ø 1.4 HD CP	
L216X	227144	TRUMPF® NOZZLE Ø 1.7 HD CP	
L40216X	227144	TRUMPF® NOZZLE Ø 1.7 HD CP	
4	L395	237364	TRUMPF® SHOWER NOZZLE Ø 1.0
	L40395	237364	TRUMPF® SHOWER NOZZLE Ø 1.0



LASER TLC 105





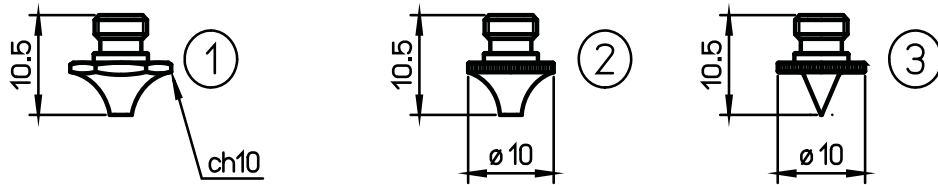
POS	II-VI P/N	OEM P/N	DESCRIPTION
1	L1150	135420-1354230	TRUMPF® NOZZLE Ø 0.8
	L401150	135420-1354230	TRUMPF® NOZZLE Ø 0.8
	L255	212334	TRUMPF® NOZZLE Ø 1.0
	L40255	212334	TRUMPF® NOZZLE Ø 1.0
	L1150X	135420-1354230	TRUMPF® NOZZLE Ø 0.8 CP
	L401150X	135420-1354230	TRUMPF® NOZZLE Ø 0.8 CP
	L255X	212334	TRUMPF® NOZZLE Ø 1.0 CP
	L40255X	212334	TRUMPF® NOZZLE Ø 1.0 CP
	L1151		TRUMPF® NOZZLE Ø 0.8 HD
	L401151		TRUMPF® NOZZLE Ø 0.8 HD
	L270		TRUMPF® NOZZLE Ø 1.0 HD
	L40270		TRUMPF® NOZZLE Ø 1.0 HD
	L256	216199	TRUMPF® NOZZLE Ø 1.4 HD
	L40256	216199	TRUMPF® NOZZLE Ø 1.4 HD
	L257	225213	TRUMPF® NOZZLE Ø 1.7 HD
	L40257	225213	TRUMPF® NOZZLE Ø 1.7 HD
	L277	126156	TRUMPF® NOZZLE Ø 2.3 HD
	L40277	126156	TRUMPF® NOZZLE Ø 2.3 HD
	L1152		TRUMPF® NOZZLE Ø 2.7 HD
	L401152		TRUMPF® NOZZLE Ø 2.7 HD
	L1151X		TRUMPF® NOZZLE Ø 0.8 HD CP
	L401151X		TRUMPF® NOZZLE Ø 0.8 HD CP
	L270X		TRUMPF® NOZZLE Ø 1.0 HD CP
	L40270X		TRUMPF® NOZZLE Ø 1.0 HD CP
	L256X	216199	TRUMPF® NOZZLE Ø 1.4 HD CP
	L40256X	216199	TRUMPF® NOZZLE Ø 1.4 HD CP
	L257X	225213	TRUMPF® NOZZLE Ø 1.7 HD CP
	L40257X	225213	TRUMPF® NOZZLE Ø 1.7 HD CP
	L277X	126156	TRUMPF® NOZZLE Ø 2.3 HD CP
	L40277X	126156	TRUMPF® NOZZLE Ø 2.3 HD CP
	L1152X		TRUMPF® NOZZLE Ø 2.7 HD CP
	L401152X		TRUMPF® NOZZLE Ø 2.7 HD CP
	2	L278	
L40278			TRUMPF® SHORT NOZZLE Ø 2.3 HD H=4
L332			TRUMPF® SHORT NOZZLE Ø 2.3 HD H=3.5
L40332			TRUMPF® SHORT NOZZLE Ø 2.3 HD H=3.5

TOLL FREE 888.558.1504 (USA and Canada) T. 724.352.1504 F. 724.352.4980 WWW.IIVIINFRARED.COM

All original equipment manufacturer's names, drawings, colors, trademarks and part numbers are used for identification purposes only and we are in no way implying that any of our products are original equipment parts. All parts advertised for sale in this catalog are made for and/or by II-VI Incorporated.



LASER TLC 105



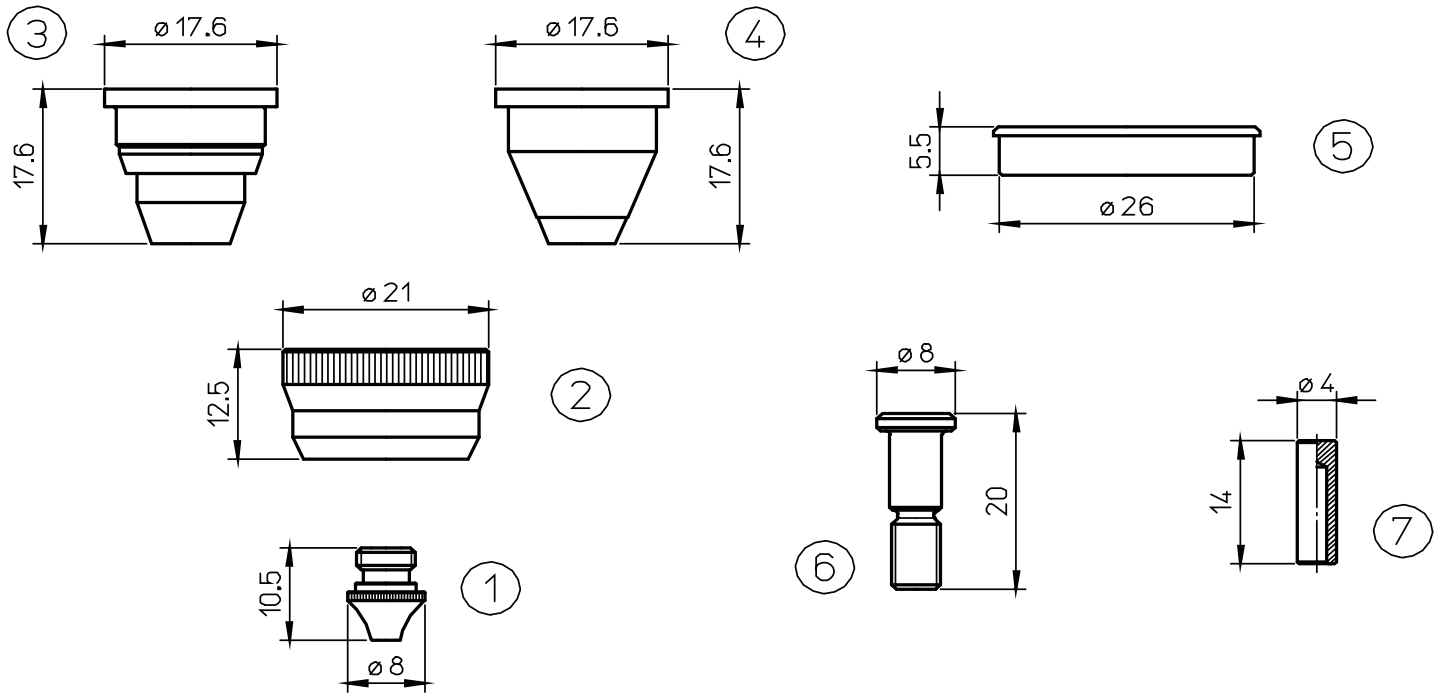




POS	II-VI P/N	OEM P/N	DESCRIPTION
1	L625		TRUMPF® NOZZLE Ø 1.0
	L40625		TRUMPF® NOZZLE Ø 1.0
	L625X		TRUMPF® NOZZLE Ø 1.0 CP
	L40625X		TRUMPF® NOZZLE Ø 1.0 CP
	L627		TRUMPF® NOZZLE Ø 1.0 HD
	L40627		TRUMPF® NOZZLE Ø 1.0 HD
	L628		TRUMPF® NOZZLE Ø 1.4 HD
	L40628		TRUMPF® NOZZLE Ø 1.4 HD
	L629		TRUMPF® NOZZLE Ø 1.7 HD
	L40629		TRUMPF® NOZZLE Ø 1.7 HD
	L627X		TRUMPF® NOZZLE Ø 1.0 HD CP
	L40627X		TRUMPF® NOZZLE Ø 1.0 HD CP
	L628X		TRUMPF® NOZZLE Ø 1.4 HD CP
	L40628X		TRUMPF® NOZZLE Ø 1.4 HD CP
	L629X		TRUMPF® NOZZLE Ø 1.7 HD CP
	L40629X		TRUMPF® NOZZLE Ø 1.7 HD CP
2	L746		TRUMPF® NOZZLE Ø 0.25
	L40746		TRUMPF® NOZZLE Ø 0.25
	L267	135320	TRUMPF® NOZZLE Ø 1.0 HD
	L40267	135320	TRUMPF® NOZZLE Ø 1.0 HD
	L1153		TRUMPF® NOZZLE Ø 1.2 HD
	L401153		TRUMPF® NOZZLE Ø 1.20 HD
	L268	135318	TRUMPF® NOZZLE Ø 1.4 HD
	L40268	135318	TRUMPF® NOZZLE Ø 1.4 HD
	L269	126157	TRUMPF® NOZZLE Ø 1.7 HD
	L40269	126157	TRUMPF® NOZZLE Ø 1.7 HD
	L267X	135320	TRUMPF® NOZZLE Ø 1.0 HD CP
	L40267X	135320	TRUMPF® NOZZLE Ø 1.0 HD CP
	L1153X		TRUMPF® NOZZLE Ø 1.2 HD CP
	L401153X		TRUMPF® NOZZLE Ø 1.2 HD CP
	L268X	135318	TRUMPF® NOZZLE Ø 1.4 HD CP
	L40268X	135318	TRUMPF® NOZZLE Ø 1.4 HD CP
	L269X	126157	TRUMPF® NOZZLE Ø 1.7 HD CP
	L40269X	126157	TRUMPF® NOZZLE Ø 1.7 HD CP
3	L747		TRUMPF® NOZZLE SHARP TIP

TOLL FREE 888.558.1504 (USA and Canada) T. 724.352.1504 F. 724.352.4980 WWW.II-VIINFRARED.COM

All original equipment manufacturer's names, drawings, colors, trademarks and part numbers are used for identification purposes only and we are in no way implying that any of our products are original equipment parts. All parts advertised for sale in this catalog are made for and/or by II-VI Incorporated.

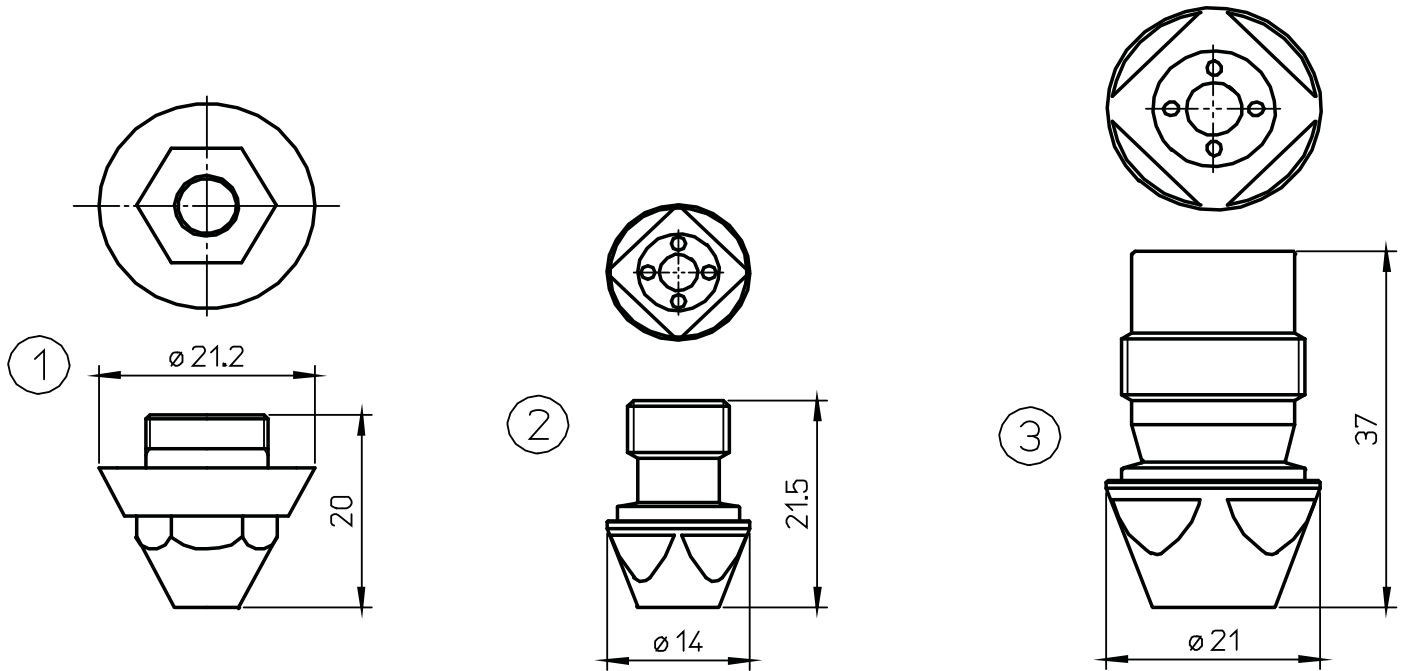




POS	II-VI P/N	OEM P/N	DESCRIPTION
1	L745	958206	TRUMPF® NOZZLE Ø 0.25
	L40745	958206	TRUMPF® NOZZLE Ø 0.25
	L500	913799	TRUMPF® NOZZLE Ø 0.8 HD
	L40500	913799	TRUMPF® NOZZLE Ø 0.8 HD
	L501	913800	TRUMPF® NOZZLE Ø 1.0 HD
	L40501	913800	TRUMPF® NOZZLE Ø 1.0 HD
	L498	1487034	TRUMPF® NOZZLE Ø 1.2 HD
	L40498	1487034	TRUMPF® NOZZLE Ø 1.2 HD
	L502	913801	TRUMPF® NOZZLE Ø 1.4 HD
	L40502	913801	TRUMPF® NOZZLE Ø 1.4 HD
	L503	937988	TRUMPF® NOZZLE Ø 1.7 HD
	L40503	937988	TRUMPF® NOZZLE Ø 1.7 HD
	L499		TRUMPF® NOZZLE Ø 1.75 HD
	L40499		TRUMPF® NOZZLE Ø 1.75 HD
	L508		TRUMPF® NOZZLE Ø 2.0 HD
	L40508		TRUMPF® NOZZLE Ø 2.0 HD
	L504	937989	TRUMPF® NOZZLE Ø 2.3 HD
	L40504	937989	TRUMPF® NOZZLE Ø 2.3 HD
	L500X	913799	TRUMPF® NOZZLE Ø 0.8 HD CP
	L40500X	913799	TRUMPF® NOZZLE Ø 0.8 HD CP
	L501X	913800	TRUMPF® NOZZLE Ø 1.0 HD CP
	L40501X	913800	TRUMPF® NOZZLE Ø 1.0 HD CP
	L498X		TRUMPF® NOZZLE Ø 1.2 HD CP
	L40498X		TRUMPF® NOZZLE Ø 1.2 HD CP
	L502X	913801	TRUMPF® NOZZLE Ø 1.4 HD CP
	L40502X	913801	TRUMPF® NOZZLE Ø 1.4 HD CP
	L503X	937988	TRUMPF® NOZZLE Ø 1.7 HD CP
	L40503X	937988	TRUMPF® NOZZLE Ø 1.7 HD CP
	L508X		TRUMPF® NOZZLE Ø 2.0 HD CP
	L40508X		TRUMPF® NOZZLE Ø 2.0 HD CP
L504X	937989	TRUMPF® NOZZLE Ø 2.3 HD CP	
L40504X	937989	TRUMPF® NOZZLE Ø 2.3 HD CP	
2	AL254	0913965	TRUMPF® RETAINER NUT
3	AL412	936678 - 913966/00-WO	TRUMPF® CERAMIC NOZZLE HOLDER
4	AL212	936678 - 913966/00-WO	TRUMPF® CERAMIC NOZZLE HOLDER
5	AL389	0960354	TRUMPF® TEFLON INSULATOR
6	AL264	0971734	TRUMPF® SAFETY SCREW
7	AL265	0971878	TRUMPF® PLUG

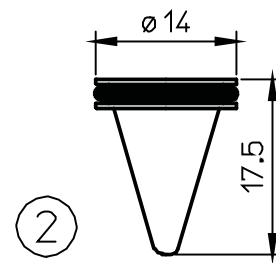
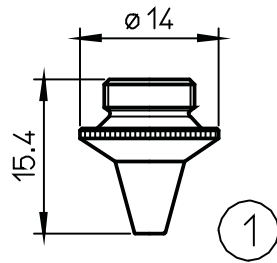
TOLL FREE 888.558.1504 (USA and Canada) T. 724.352.1504 F. 724.352.4980 WWW.IIVIINFRARED.COM

All original equipment manufacturer's names, drawings, colors, trademarks and part numbers are used for identification purposes only and we are in no way implying that any of our products are original equipment parts. All parts advertised for sale in this catalog are made for and/or by II-VI Incorporated.



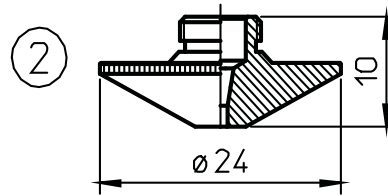
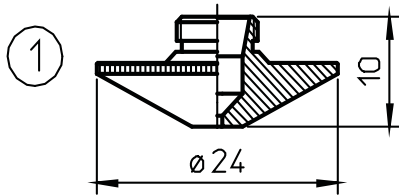


POS	II-VI P/N	OEM P/N	DESCRIPTION
1	L1010X	932530	TRUMPF® NOZZLE Ø 4.5 CP
2	L1185	924947	TRUMPF® WELDING NOZZLE M10
3	L1186	220783	TRUMPF® WELDING NOZZLE M18





POS	II-VI P/N	OEM P/N	DESCRIPTION
1	L405	281813-P0589-424-00008	PRECITEC® NOZZLE Ø 0.8
	L30405	281813-P0589-424-00008	PRECITEC® NOZZLE Ø 0.8
	L406	281789-P0589-426-00010	PRECITEC® NOZZLE Ø 1.0
	L30406	281789-P0589-426-00010	PRECITEC® NOZZLE Ø 1.0
	L404	281561 - 778550	PRECITEC® NOZZLE Ø 1.2
	L30404	281561 - 778550	PRECITEC® NOZZLE Ø 1.2
	L407	281814 - 149957	PRECITEC® NOZZLE Ø 1.5
	L30407	281814 - 149957	PRECITEC® NOZZLE Ø 1.5
	L408	P0589-428-00020	PRECITEC® NOZZLE Ø 2.0
	L30408	P0589-428-00020	PRECITEC® NOZZLE Ø 2.0
	L405X	281813-P0589-424-00008	PRECITEC® NOZZLE Ø 0.8 CP
	L30405X	281813-P0589-424-00008	PRECITEC® NOZZLE Ø 0.8 CP
	L406X	281789-P0589-426-00010	PRECITEC® NOZZLE Ø 1.0 CP
	L30406X	281789-P0589-426-00010	PRECITEC® NOZZLE Ø 1.0 CP
	L404X	281561 - 778550 - P0589-425-00012	PRECITEC® NOZZLE Ø 1.2 CP
	L30404X	281561 - 778550	PRECITEC® NOZZLE Ø 1.2 CP
	L407X	281814 - 149957	PRECITEC® NOZZLE Ø 1.5 CP
	L30407X	281814 - 149957	PRECITEC® NOZZLE Ø 1.5 CP
	L408X	P0589-428-00020	PRECITEC® NOZZLE Ø 2.0 CP
	L30408X	P0589-428-00020	PRECITEC® NOZZLE Ø 2.0 CP
2	L507	12-11-16-00	TRUMPF® HAAS® YAG NOZZLE Ø 0.8 W/O-RING
	L506		TRUMPF® HASS® YAG NOZZLE Ø 1.0 W/O-RING
	L505	12-11-09-17/00	TRUMPF® HASS® YAG NOZZLE Ø 1.2 W/O-RING



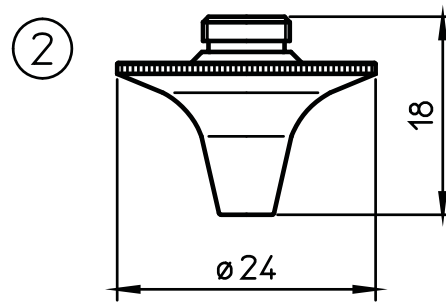
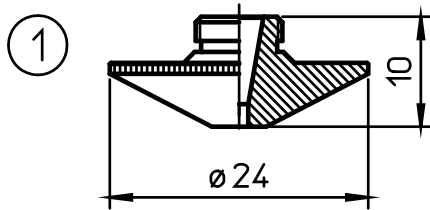




POS	II-VI P/N	OEM P/N	DESCRIPTION	
1	L18	124561-237499	TRUMPF® NOZZLE Ø 0.8	
	L3018	124561-237499	TRUMPF® NOZZLE Ø 0.8	
	L19	124562-237498	TRUMPF® NOZZLE Ø 1.0	
	L3019	124562-237498	TRUMPF® NOZZLE Ø 1.0	
	L361	966809	TRUMPF® NOZZLE Ø 1.2	
	L30361	966809	TRUMPF® NOZZLE Ø 1.2	
	L795		TRUMPF® NOZZLE Ø 1.4	
	L30795		TRUMPF® NOZZLE Ø 1.4	
	L26	237500	TRUMPF® NOZZLE Ø 1.5	
	L3026	237500	TRUMPF® NOZZLE Ø 1.5	
	L796		TRUMPF® NOZZLE Ø 1.7	
	L30796		TRUMPF® NOZZLE Ø 1.7	
	L24	237503	TRUMPF® NOZZLE Ø 2.0	
	L3024	237503-1253211	TRUMPF® NOZZLE Ø 2.0	
	L797	124564	TRUMPF® NOZZLE Ø 2.3	
	L30797	124564	TRUMPF® NOZZLE Ø 2.3	
	L25	237504	TRUMPF® NOZZLE Ø 3.0	
	L3025	237504	TRUMPF® NOZZLE Ø 3.0	
	L18X	352280	TRUMPF® NOZZLE Ø 0.8 CP	
	L3018X	352280	TRUMPF® NOZZLE Ø 0.8 CP	
	L19X	352281	TRUMPF® NOZZLE Ø 1.0 CP	
	L3019X	352281	TRUMPF® NOZZLE Ø 1.0 CP	
	L361X	352282	TRUMPF® NOZZLE Ø 1.2 CP	
	L30361X	352282	TRUMPF® NOZZLE Ø 1.2 CP	
	L795X		TRUMPF® NOZZLE Ø 1.4 CP	
	L30795X		TRUMPF® NOZZLE Ø 1.4 CP	
	L26X	352288	TRUMPF® NOZZLE Ø 1.5 CP	
	L3026X	352288	TRUMPF® NOZZLE Ø 1.5 CP	
	L796X		TRUMPF® NOZZLE Ø 1.7 CP	
	L30796X		TRUMPF® NOZZLE Ø 1.7 CP	
	L24X		TRUMPF® NOZZLE Ø 2.0 CP	
	L3024X		TRUMPF® NOZZLE Ø 2.0 CP	
L797X	124564	TRUMPF® NOZZLE Ø 2.3 CP		
L30797X	124564	TRUMPF® NOZZLE Ø 2.3 CP		
L25X	237504	TRUMPF® NOZZLE Ø 3.0 CP		
L3025X		TRUMPF® NOZZLE Ø 3.0 CP		
2	L20	237497	TRUMPF® NOZZLE Ø 1.4 HD	
	L3020	237497	TRUMPF® NOZZLE Ø 1.4 HD	
	L20X	352283	TRUMPF® NOZZLE Ø 1.4 HD CP	
	L3020X	352283	TRUMPF® NOZZLE Ø 1.4 HD CP	

TOLL FREE 888.558.1504 (USA and Canada) T. 724.352.1504 F. 724.352.4980 WWW.IIVIINFRARED.COM

All original equipment manufacturer's names, drawings, colors, trademarks and part numbers are used for identification purposes only and we are in no way implying that any of our products are original equipment parts. All parts advertised for sale in this catalog are made for and/or by II-VI Incorporated.

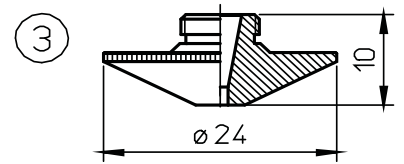
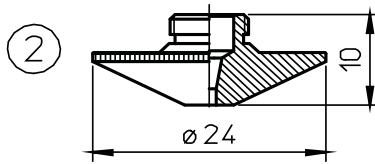
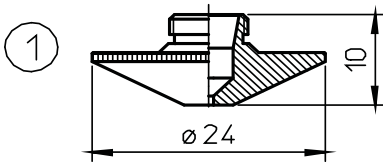




POS	II-VI P/N	OEM P/N	DESCRIPTION	
1	L258	237497/S	TRUMPF® NOZZLE Ø 1.4 HD	
	L30258	237497/S	TRUMPF® NOZZLE Ø 1.4 HD	
	L21	237501	TRUMPF® NOZZLE Ø 1.7 HD	
	L3021	237501	TRUMPF® NOZZLE Ø 1.7 HD	
	L168	237502	TRUMPF® NOZZLE Ø 2.0 HD	
	L30168	237502	TRUMPF® NOZZLE Ø 2.0 HD	
	L76	126933	TRUMPF® NOZZLE Ø 2.3 HD	
	L3076	126933	TRUMPF® NOZZLE Ø 2.3 HD	
	L185		TRUMPF® NOZZLE Ø 2.5 HD	
	L30185		TRUMPF® NOZZLE Ø 2.5 HD	
	L360	942742	TRUMPF® NOZZLE Ø 2.7 HD	
	L30360	942742	TRUMPF® NOZZLE Ø 2.7 HD	
	L396		TRUMPF® NOZZLE Ø 3.0 HD	
	L30396		TRUMPF® NOZZLE Ø 3.0 HD	
	L258X	237497/S	TRUMPF® NOZZLE Ø 1.4 HD CP	
	L30258X		TRUMPF® NOZZLE Ø 1.4 HD CP	
	L21X	352284	TRUMPF® NOZZLE Ø 1.7 HD CP	
	L3021X	352284	TRUMPF® NOZZLE Ø 1.7 HD CP	
	L168X	352287	TRUMPF® NOZZLE Ø 2.0 HD CP	
	L30168X	237502	TRUMPF® NOZZLE Ø 2.0 HD CP	
	L76X	352285	TRUMPF® NOZZLE Ø 2.3 HD CP	
	L3076X	352285	TRUMPF® NOZZLE Ø 2.3 HD CP	
	L185X		TRUMPF® NOZZLE Ø 2.5 HD CP	
	L30185X		TRUMPF® NOZZLE Ø 2.5 HD CP	
	L360X	352286	TRUMPF® NOZZLE Ø 2.7 HD CP	
	L30360X	352286	TRUMPF® NOZZLE Ø 2.7 HD CP	
	L396X		TRUMPF® NOZZLE Ø 3.0 HD CP	
	L30396X		TRUMPF® NOZZLE Ø 3.0 HD CP	
	2	L1550	1277773	TRUMPF® NOZZLE Ø 0.8
		L1551	1277771	TRUMPF® NOZZLE Ø 1.0
L1552		1277774	TRUMPF® NOZZLE Ø 1.2	
L1553		1277776	TRUMPF® NOZZLE Ø 1.4	
L1554		1277779	TRUMPF® NOZZLE Ø 1.7	
L1555		1277780	TRUMPF® NOZZLE Ø 2.0	
L1556		1277781	TRUMPF® NOZZLE Ø 2.3	
L1557		1277782	TRUMPF® NOZZLE Ø 2.7	
L1550X			TRUMPF® NOZZLE Ø 0.8 CP	
L1551X			TRUMPF® NOZZLE Ø 1.0 CP	
L1552X			TRUMPF® NOZZLE Ø 1.2 CP	
L1553X			TRUMPF® NOZZLE Ø 1.4 CP	
L1554X			TRUMPF® NOZZLE Ø 1.7 CP	
L1555X			TRUMPF® NOZZLE Ø 2.0 CP	
L1556X			TRUMPF® NOZZLE Ø 2.3 CP	
L1557X			TRUMPF® NOZZLE Ø 2.7 CP	

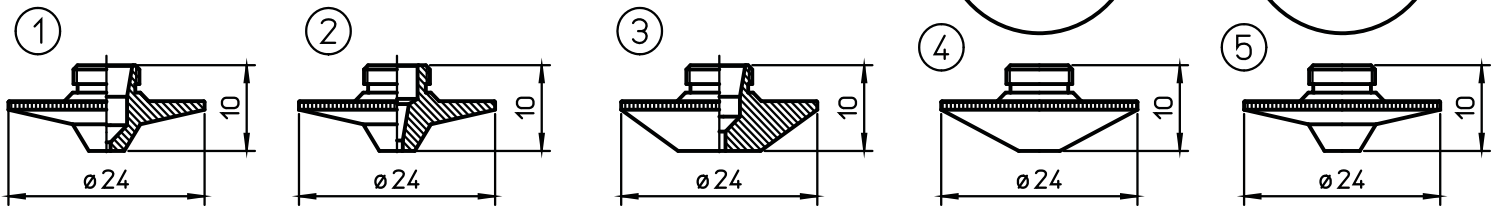
TOLL FREE 888.558.1504 (USA and Canada) T. 724.352.1504 F. 724.352.4980 WWW.IIVIINFRARED.COM

All original equipment manufacturer's names, drawings, colors, trademarks and part numbers are used for identification purposes only and we are in no way implying that any of our products are original equipment parts. All parts advertised for sale in this catalog are made for and/or by II-VI Incorporated.





POS	II-VI P/N	OEM P/N	DESCRIPTION
1	L18XH	352280	TRUMPF® NOZZLE Ø 0.8 SPECIAL CP
	L3018XH	352280	TRUMPF® NOZZLE Ø 0.8 SPECIAL CP
	L19XH	352281	TRUMPF® NOZZLE Ø 1.0 SPECIAL CP
	L3019XH	352281	TRUMPF® NOZZLE Ø 1.0 SPECIAL CP
	L361XH	352282	TRUMPF® NOZZLE Ø 1.2 SPECIAL CP
	L30361XH	352282	TRUMPF® NOZZLE Ø 1.2 SPECIAL CP
2	L20XH	352283	TRUMPF® NOZZLE Ø 1.4 HD SPECIAL CP
	L3020XH	352283	TRUMPF® NOZZLE Ø 1.4 HD SPECIAL CP
3	L258XH		TRUMPF® NOZZLE Ø 1.4 HD SPECIAL CP
	L30258XH		TRUMPF® NOZZLE Ø 1.4 HD SPECIAL CP
	L21XH	352284	TRUMPF® NOZZLE Ø 1.7 HD SPECIAL CP
	L3021XH	352284	TRUMPF® NOZZLE Ø 1.7 HD SPECIAL CP
	L168XH	352287	TRUMPF® NOZZLE Ø 2.0 HD SPECIAL CP
	L30168XH	237502	TRUMPF® NOZZLE Ø 2.0 HD SPECIAL CP
	L76XH	352285	TRUMPF® NOZZLE Ø 2.3 HD SPECIAL CP
	L3076XH	352285	TRUMPF® NOZZLE Ø 2.3 HD SPECIAL CP
	L185XH		TRUMPF® NOZZLE Ø 2.5 HD SPECIAL CP
	L30185XH		TRUMPF® NOZZLE Ø 2.5 HD SPECIAL CP
	L360XH	352286	TRUMPF® NOZZLE Ø 2.7 HD SPECIAL CP
	L30360XH	352286	TRUMPF® NOZZLE Ø 2.7 HD SPECIAL CP
	L396XH		TRUMPF® NOZZLE Ø 3.0 HD SPECIAL CP
	L30396XH		TRUMPF® NOZZLE Ø 3.0 HD SPECIAL CP



TOLL FREE 888.558.1504 (USA and Canada) T. 724.352.1504 F. 724.352.4980 WWW.IIVIINFRARED.COM

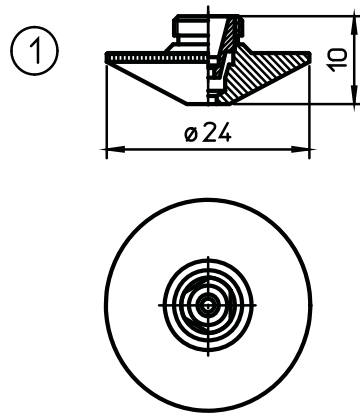
21 All original equipment manufacturer's names, drawings, colors, trademarks and part numbers are used for identification purposes only and we are in no way implying that any of our products are original equipment parts. All parts advertised for sale in this catalog are made for and/or by II-VI Incorporated.



POS	II-VI P/N	OEM P/N	DESCRIPTION
1	L2	215780	TRUMPF® NOZZLE Ø 0.8
	L3002	215780	TRUMPF® NOZZLE Ø 0.8
	L11	087658	TRUMPF® NOZZLE Ø 1.0
	L3011	087658	TRUMPF® NOZZLE Ø 1.0
	L2X	215780	TRUMPF® NOZZLE Ø 0.8 CP
	L3002X	215780	TRUMPF® NOZZLE Ø 0.8 C.P.
	L11X	087658	TRUMPF® NOZZLE Ø 1.0 CP
	L3011X	087658	TRUMPF® NOZZLE Ø 1.0 CP
2	L1	088894	TRUMPF® NOZZLE Ø 1.4 HD
	L3001	088894	TRUMPF® NOZZLE Ø 1.4 HD
	L12	217867	TRUMPF® NOZZLE Ø 1.7 HD
	L3012	217867	TRUMPF® NOZZLE Ø 1.7 HD
3	L798		TRUMPF® NOZZLE Ø 1.0
	L30798		TRUMPF® NOZZLE Ø 1.0
	L13	088893	TRUMPF® NOZZLE Ø 1.5
	L3013	088893	TRUMPF® NOZZLE Ø 1.5
	L68	221781	TRUMPF® NOZZLE Ø 2.0
	L3068	221781	TRUMPF® NOZZLE Ø 2.0
	L230	235592	TRUMPF® NOZZLE Ø 3.0
	L30230	235592	TRUMPF® NOZZLE Ø 3.0
4	L495	237872	TRUMPF® SHOWER NOZZLE Ø 0.8
	L30495	237872	TRUMPF® SHOWER NOZZLE Ø 0.8
5	L496	217976	TRUMPF® SHOWER NOZZLE Ø 0.8
	L30496	217976	TRUMPF® SHOWER NOZZLE Ø 0.8



## ***SPECIAL NOZZLES***



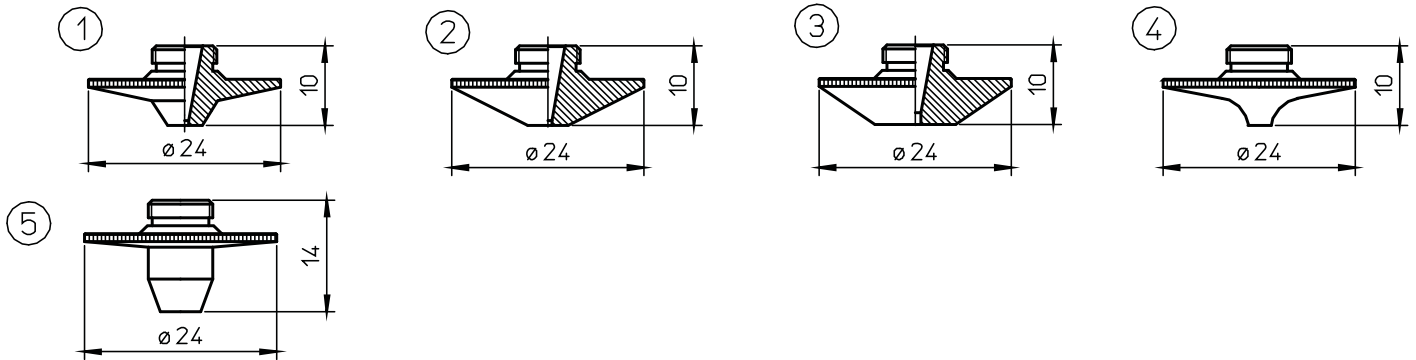




POS	II-VI P/N	OEM P/N	DESCRIPTION	
1	L640		TRUMPF® DOUBLE NOZZLE Ø 0.8	
	L30640		TRUMPF® DOUBLE NOZZLE Ø 0.8	
	L641		TRUMPF® DOUBLE NOZZLE Ø 1.0	
	L30641		TRUMPF® DOUBLE NOZZLE Ø 1.0	
	L648		TRUMPF® DOUBLE NOZZLE Ø 1.2	
	L30648		TRUMPF® DOUBLE NOZZLE Ø 1.2	
	L642		TRUMPF® DOUBLE NOZZLE Ø 1.4	
	L30642		TRUMPF® DOUBLE NOZZLE Ø 1.4	
	L643		TRUMPF® DOUBLE NOZZLE Ø 1.7	
	L30643		TRUMPF® DOUBLE NOZZLE Ø 1.7	
	L644		TRUMPF® DOUBLE NOZZLE Ø 2.0	
	L30644		TRUMPF® DOUBLE NOZZLE Ø 2.0	
	L645		TRUMPF® DOUBLE NOZZLE Ø 2.3	
	L30645		TRUMPF® DOUBLE NOZZLE Ø 2.3	
	L646		TRUMPF® DOUBLE NOZZLE Ø 2.7	
	L30646		TRUMPF® DOUBLE NOZZLE Ø 2.7	
	L647		TRUMPF® DOUBLE NOZZLE Ø 3.0	
	L30647		TRUMPF® DOUBLE NOZZLE Ø 3.0	
	L640X		TRUMPF® DOUBLE NOZZLE Ø 0.8 CP	
	L30640X		TRUMPF® DOUBLE NOZZLE Ø 0.8 CP	
	L641X		TRUMPF® DOUBLE NOZZLE Ø 1.0 CP	
	L30641X		TRUMPF® DOUBLE NOZZLE Ø 1.0 CP	
	L648X		TRUMPF® DOUBLE NOZZLE Ø 1.2 CP	
	L30648X		TRUMPF® DOUBLE NOZZLE Ø 1.2 CP	
	L642X		TRUMPF® DOUBLE NOZZLE Ø 1.4 CP	
	L30642X		TRUMPF® DOUBLE NOZZLE Ø 1.4 CP	
	L643X		TRUMPF® DOUBLE NOZZLE Ø 1.7 CP	
	L30643X		TRUMPF® DOUBLE NOZZLE Ø 1.7 CP	
	L644X		TRUMPF® DOUBLE NOZZLE Ø 2.0 CP	
	L30644X		TRUMPF® DOUBLE NOZZLE Ø 2.0 CP	
	L645X		TRUMPF® DOUBLE NOZZLE Ø 2.3 CP	
	L30645X		TRUMPF® DOUBLE NOZZLE Ø 2.3 CP	
L646X		TRUMPF® DOUBLE NOZZLE Ø 2.7 CP		
L30646X		TRUMPF® DOUBLE NOZZLE Ø 2.7 CP		
L647X		TRUMPF® DOUBLE NOZZLE Ø 3.0 CP		
L30647X		TRUMPF® DOUBLE NOZZLE Ø 3.0 CP		

TOLL FREE 888.558.1504 (USA and Canada) T. 724.352.1504 F. 724.352.4980 WWW.II-VIINFRARED.COM

All original equipment manufacturer's names, drawings, colors, trademarks and part numbers are used for identification purposes only and we are in no way implying that any of our products are original equipment parts. All parts advertised for sale in this catalog are made for and/or by II-VI Incorporated.

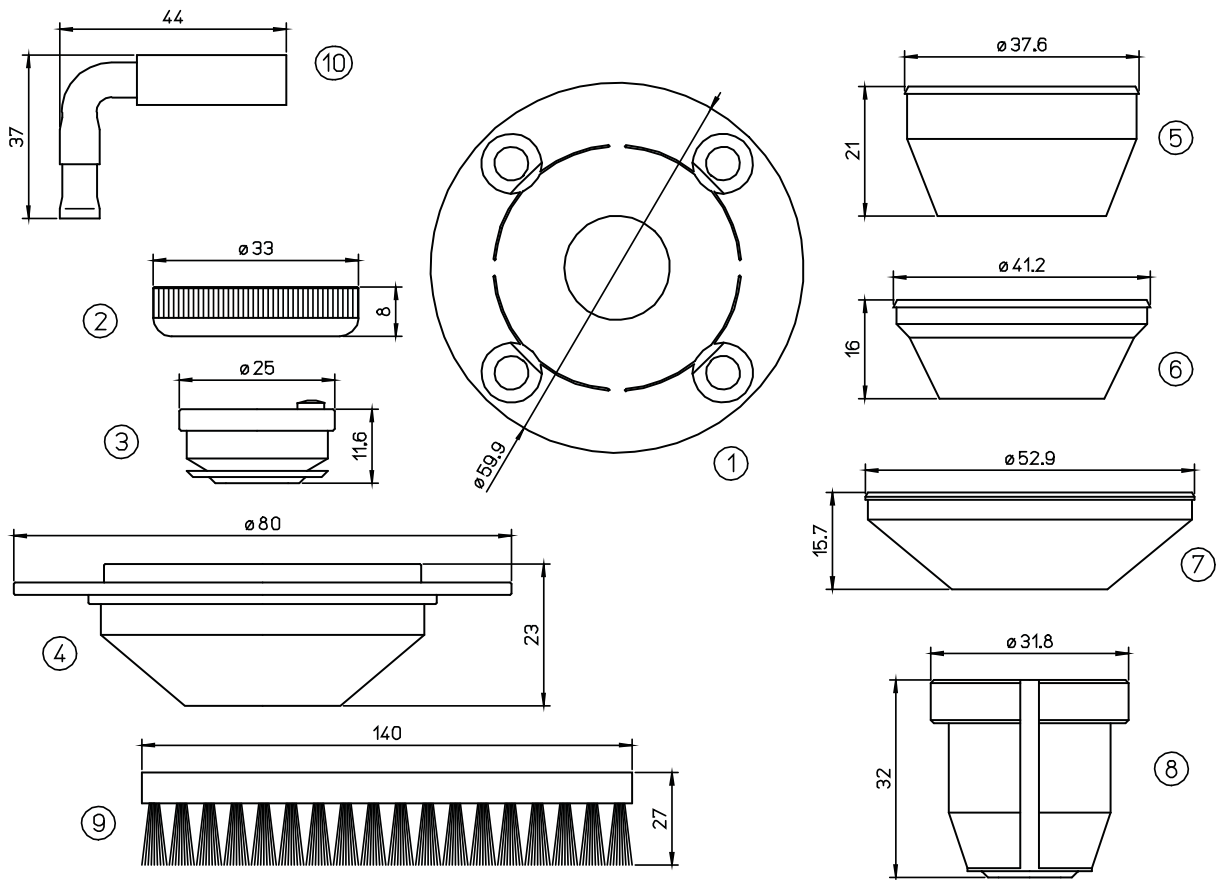




POS	II-VI P/N	OEM P/N	DESCRIPTION
1	L226		TRUMPF® NOZZLE Ø 0.8 HD
	L30226		TRUMPF® NOZZLE Ø 0.8 HD
	L181		TRUMPF® NOZZLE Ø 1.0 HD
	L30181		TRUMPF® NOZZLE Ø 1.0 HD
	L182		TRUMPF® NOZZLE Ø 1.4 HD
	L30182		TRUMPF® NOZZLE Ø 1.4 HD
	L227		TRUMPF® NOZZLE Ø 1.7 HD
	L30227		TRUMPF® NOZZLE Ø 1.7 HD
	L313		TRUMPF® NOZZLE Ø 2.3 HD
	L30313		TRUMPF® NOZZLE Ø 2.3 HD
2	L228		TRUMPF® NOZZLE Ø 0.8 HD
	L30228		TRUMPF® NOZZLE Ø 0.8 HD
	L180		TRUMPF® NOZZLE Ø 1.0 HD
	L30180		TRUMPF® NOZZLE Ø 1.0 HD
3	L232		TRUMPF® NOZZLE Ø 1.5 HD
	L30232		TRUMPF® NOZZLE Ø 1.5 HD
	L233		TRUMPF® NOZZLE Ø 2.0 HD
	L30233		TRUMPF® NOZZLE Ø 2.0 HD
4	L720		TRUMPF® SPECIAL NOZZLE Ø 2.3 HD
	L30720		TRUMPF® SPECIAL NOZZLE Ø 2.3 HD
	L721		TRUMPF® SPECIAL NOZZLE Ø 2.5 HD
	L30721		TRUMPF® SPECIAL NOZZLE Ø 2.5 HD
	L722		TRUMPF® SPECIAL NOZZLE Ø 2.7 HD
	L30722		TRUMPF® SPECIAL NOZZLE Ø 2.7 HD
	L671		TRUMPF® NOZZLE Ø 2.3 HD ECONOMY GAS
	L30671		TRUMPF® NOZZLE Ø 2.3 HD ECONOMY GAS
	L1034X		TRUMPF® SPECIAL NOZZLE Ø 1.4 HD CP
	L301034X		TRUMPF® SPECIAL NOZZLE Ø 1.4 HD CP
	L1035X		TRUMPF® SPECIAL NOZZLE Ø 1.7 HD CP
	L301035X		TRUMPF® SPECIAL NOZZLE Ø 1.7 HD CP
	L720X		TRUMPF® SPECIAL NOZZLE Ø 2.3 HD CP
	L30720X		TRUMPF® SPECIAL NOZZLE Ø 2.3 HD CP
	L721X		TRUMPF® SPECIAL NOZZLE Ø 2.5 HD CP
	L30721X		TRUMPF® SPECIAL NOZZLE Ø 2.5 HD CP
	L722X		TRUMPF® SPECIAL NOZZLE Ø 2.7 HD CP
	L30722X		TRUMPF® SPECIAL NOZZLE Ø 2.7 HD CP
5	L200		TRUMPF® EXTENDED NOZZLE Ø 0.8
	L199		TRUMPF® EXTENDED NOZZLE Ø 1.0
	L657		TRUMPF® EXTENDED NOZZLE Ø 1.2
	L658		TRUMPF® EXTENDED NOZZLE Ø 1.4
	L670		TRUMPF® EXTENDED NOZZLE Ø 1.6
	L659		TRUMPF® EXTENDED NOZZLE Ø 1.7

TOLL FREE 888.558.1504 (USA and Canada) T. 724.352.1504 F. 724.352.4980 WWW.IIVIINFRARED.COM

All original equipment manufacturer's names, drawings, colors, trademarks and part numbers are used for identification purposes only and we are in no way implying that any of our products are original equipment parts. All parts advertised for sale in this catalog are made for and/or by II-VI Incorporated.

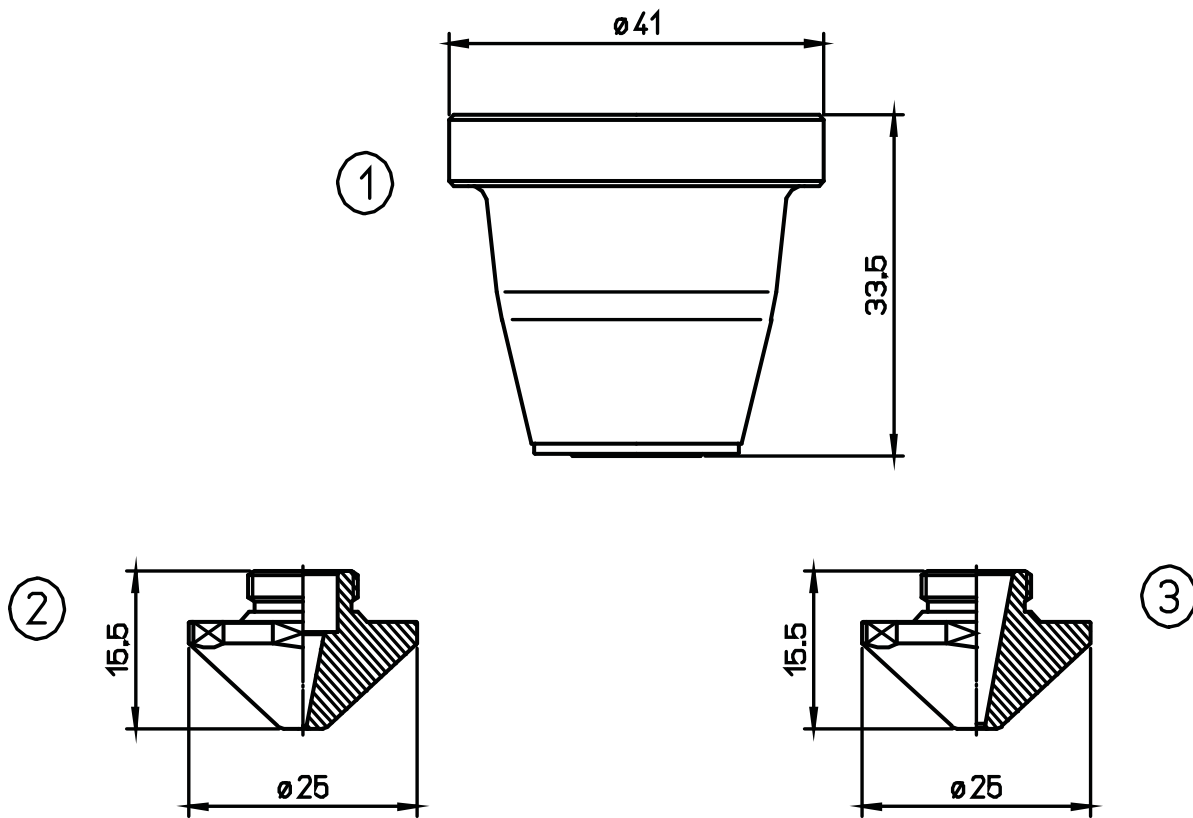


TOLL FREE 888.558.1504 (USA and Canada) T. 724.352.1504 F. 724.352.4980 WWW.II-VIINFRARED.COM

27 All original equipment manufacturer's names, drawings, colors, trademarks and part numbers are used for identification purposes only and we are in no way implying that any of our products are original equipment parts. All parts advertised for sale in this catalog are made for and/or by II-VI Incorporated.



POS	II-VI P/N	OEM P/N	DESCRIPTION
1	AL70	234485	TRUMPF® BREAK-AWAY
2	AL250	216066	TRUMPF® SIGNBOARD
3	AL400	258809	TRUMPF® ORIG. NOZZLE HOLDER
	AL38	258809-243839-247894	TRUMPF® CERAMIC NOZZLE HOLDER
	AL438	258809-243839-247894	TRUMPF® CERAMIC NOZZLE HOLDER
4	AL19	216065	TRUMPF® TEFLON COVER
5	AL47	256153-955826	TRUMPF® TEFLON COVER - WHITE
	AL347	256153-955826	TRUMPF® COVER - BLACK
6	AL36	254496	TRUMPF® TEFLON COVER
7	AL41	225286	TRUMPF® TEFLON COVER
8	AL108	254493-260432	TRUMPF® CERAMIC NOZZLE HOLDER .
9	AL272	0353202 - 900594	TRUMPF® BRUSH - TASTER
10	088557	088557	TRUMPF® NOZZLE 90°

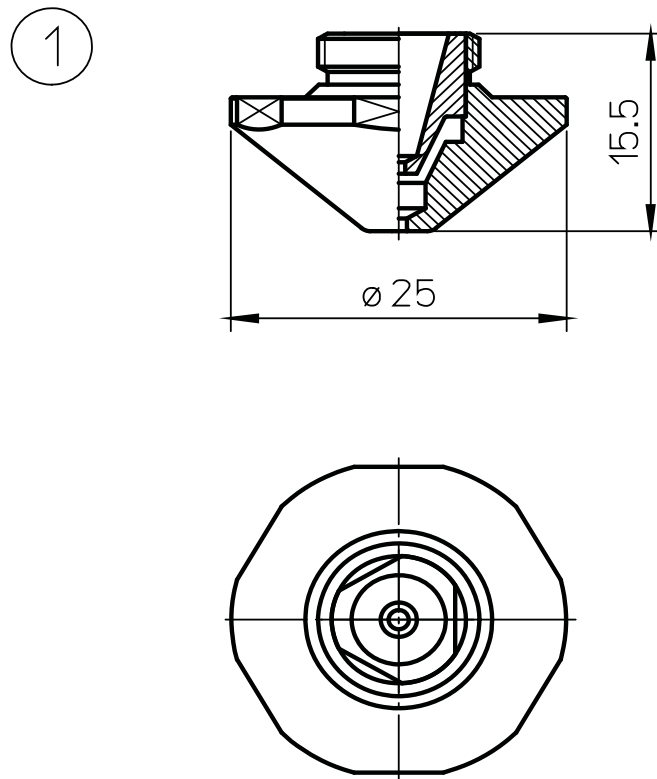




POS	II-VI P/N	OEM P/N	DESCRIPTION
	AL405	1349171	TRUMPF® CERAMIC NOZZLE HOLDER
1	L1270	1324858	TRUMPF® NOZZLE Ø 0.8
	L501270	1324858	TRUMPF® NOZZLE Ø 0.8
	L1272	1324860	TRUMPF® NOZZLE Ø 1.0
	L501272	1324860	TRUMPF® NOZZLE Ø 1.0
	L1273	1324861	TRUMPF® NOZZLE Ø 1.2
	L501273	1324861	TRUMPF® NOZZLE Ø 1.2
	L1275	1324863	TRUMPF® NOZZLE Ø 1.4
	L501275	1324863	TRUMPF® NOZZLE Ø 1.4
	L1276	1324864	TRUMPF® NOZZLE Ø 1.7
	L501276	1324864	TRUMPF® NOZZLE Ø 1.7
	L1270XH		TRUMPF® NOZZLE Ø 0.8 SPECIAL CP
	L501270XH		TRUMPF® NOZZLE Ø 0.8 SPECIAL CP
	L1272XH		TRUMPF® NOZZLE Ø 1.0 SPECIAL CP
	L501272XH		TRUMPF® NOZZLE Ø 1.0 SPECIAL CP
	L1273XH		TRUMPF® NOZZLE Ø 1.2 SPECIAL CP
	L501273XH		TRUMPF® NOZZLE Ø 1.2 SPECIAL CP
	L1275XH		TRUMPF® NOZZLE Ø 1.4 SPECIAL CP
	L501275XH		TRUMPF® NOZZLE Ø 1.4 SPECIAL CP
	L1276XH		TRUMPF® NOZZLE Ø 1.7 SPECIAL CP
	L501276XH		TRUMPF® NOZZLE Ø 1.7 SPECIAL CP
2	L1277	1324865	TRUMPF® NOZZLE Ø 2.0
	L501277	1324865	TRUMPF® NOZZLE Ø 2.0
	L1278	1324866	TRUMPF® NOZZLE Ø 2.3
	L501278	1324866	TRUMPF® NOZZLE Ø 2.3
	L1279	1324867	TRUMPF® NOZZLE Ø 2.7
	L501279	1324867	TRUMPF® NOZZLE Ø 2.7
	L1277XH		TRUMPF® NOZZLE Ø 2.0 SPECIAL CP
	L501277XH		TRUMPF® NOZZLE Ø 2.0 SPECIAL CP
	L1278XH		TRUMPF® NOZZLE Ø 2.3 SPECIAL CP
	L501278XH		TRUMPF® NOZZLE Ø 2.3 SPECIAL CP
	L1279XH		TRUMPF® NOZZLE Ø 2.7 SPECIAL CP
	L501279XH		TRUMPF® NOZZLE Ø 2.7 SPECIAL CP

TOLL FREE 888.558.1504 (USA and Canada) T. 724.352.1504 F. 724.352.4980 WWW.IIVIINFRARED.COM

All original equipment manufacturer's names, drawings, colors, trademarks and part numbers are used for identification purposes only and we are in no way implying that any of our products are original equipment parts. All parts advertised for sale in this catalog are made for and/or by II-VI Incorporated.



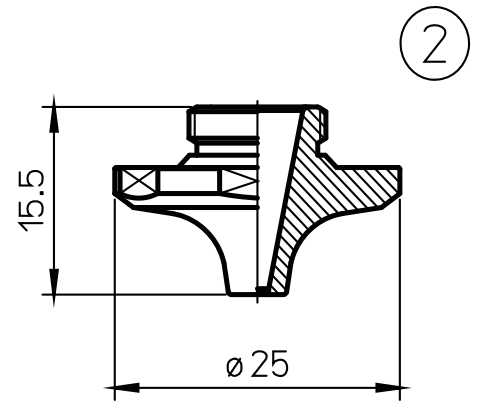
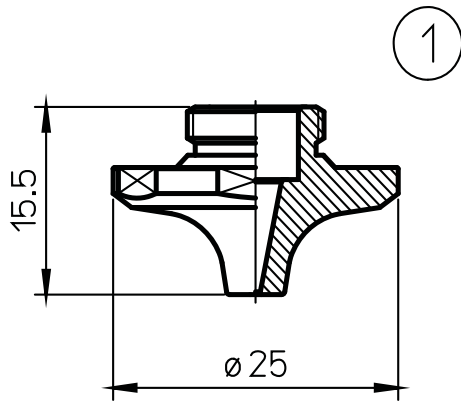




POS	II-VI P/N	OEM P/N	DESCRIPTION	
1	L1308		TRUMPF® DOUBLE NOZZLE Ø 0.8	
	L501308		TRUMPF® DOUBLE NOZZLE Ø 0.8	
	L1309		TRUMPF® DOUBLE NOZZLE Ø 1.0	
	L501309		TRUMPF® DOUBLE NOZZLE Ø 1.0	
	L1310		TRUMPF® DOUBLE NOZZLE Ø 1.2	
	L501310		TRUMPF® DOUBLE NOZZLE Ø 1.2	
	L1311		TRUMPF® DOUBLE NOZZLE Ø 1.4	
	L501311		TRUMPF® DOUBLE NOZZLE Ø 1.4	
	L1312		TRUMPF® DOUBLE NOZZLE Ø 1.7	
	L501312		TRUMPF® DOUBLE NOZZLE Ø 1.7	
	L1308XH		TRUMPF® DOUBLE NOZZLE Ø 0.8 SPECIAL CP	
	L501308XH		TRUMPF® DOUBLE NOZZLE Ø 0.8 SPECIAL CP	
	L1309XH		TRUMPF® DOUBLE NOZZLE Ø 1.0 SPECIAL CP	
	L501309XH		TRUMPF® DOUBLE NOZZLE Ø 1.0 SPECIAL CP	
	L1310XH		TRUMPF® DOUBLE NOZZLE Ø 1.2 SPECIAL CP	
	L501310XH		TRUMPF® DOUBLE NOZZLE Ø 1.2 SPECIAL CP	
	L1311XH		TRUMPF® DOUBLE NOZZLE Ø 1.4 SPECIAL CP	
	L501311XH		TRUMPF® DOUBLE NOZZLE Ø 1.4 SPECIAL CP	
	L1312XH		TRUMPF® DOUBLE NOZZLE Ø 1.7 SPECIAL CP	
	L501312XH		TRUMPF® DOUBLE NOZZLE Ø 1.7 SPECIAL CP	
	L1313		TRUMPF® DOUBLE NOZZLE Ø 2.0	
	L501313		TRUMPF® DOUBLE NOZZLE Ø 2.0	
	L1314		TRUMPF® DOUBLE NOZZLE Ø 2.3	
	L501314		TRUMPF® DOUBLE NOZZLE Ø 2.3	
	L1315		TRUMPF® DOUBLE NOZZLE Ø 2.7	
	L501315		TRUMPF® DOUBLE NOZZLE Ø 2.7	
	L1313XH		TRUMPF® DOUBLE NOZZLE Ø 2.0 SPECIAL CP	
	L501313XH		TRUMPF® DOUBLE NOZZLE Ø 2.0 SPECIAL CP	
	L1314XH		TRUMPF® DOUBLE NOZZLE Ø 2.3 SPECIAL CP	
L501314XH		TRUMPF® DOUBLE NOZZLE Ø 2.3 SPECIAL CP		
L1315XH		TRUMPF® DOUBLE NOZZLE Ø 2.7 SPECIAL CP		
L501315XH		TRUMPF® DOUBLE NOZZLE Ø 2.7 SPECIAL CP		

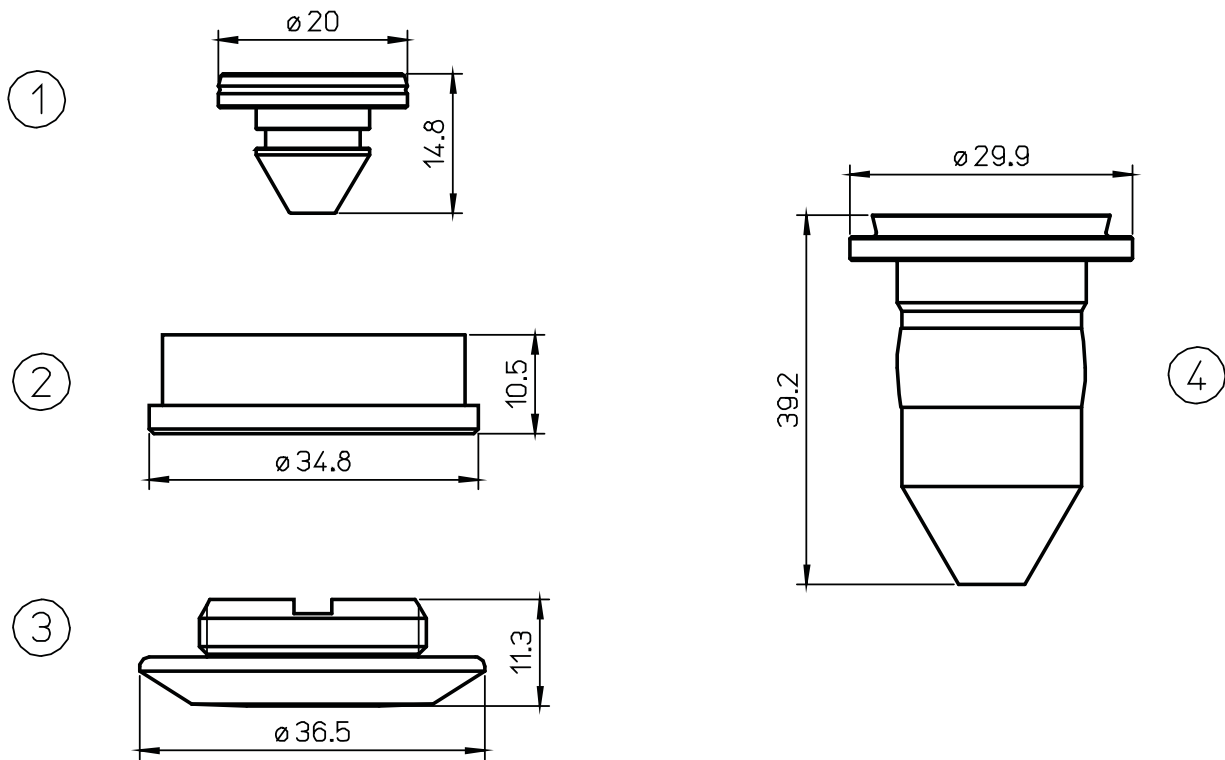
TOLL FREE 888.558.1504 (USA and Canada) T. 724.352.1504 F. 724.352.4980 WWW.II-VIINFRARED.COM

All original equipment manufacturer's names, drawings, colors, trademarks and part numbers are used for identification purposes only and we are in no way implying that any of our products are original equipment parts. All parts advertised for sale in this catalog are made for and/or by II-VI Incorporated.



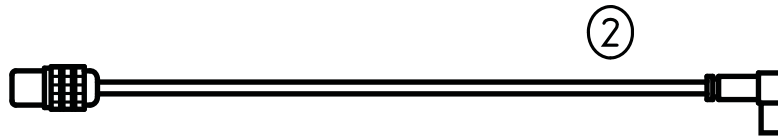


POS	II-VI P/N	OEM P/N	DESCRIPTION
1	L1501	1373325	TRUMPF® NOZZLE Ø 1.0
	L501501	1373325	TRUMPF® NOZZLE Ø 1.0
	L1502	1373326	TRUMPF® NOZZLE Ø 1.2
	L501502	1373326	TRUMPF® NOZZLE Ø 1.2
	L1503	1373327	TRUMPF® NOZZLE Ø 1.4
	L501503	1373327	TRUMPF® NOZZLE Ø 1.4
	L1504	1373328	TRUMPF® NOZZLE Ø 1.7
	L501504	1373328	TRUMPF® NOZZLE Ø 1.7
2	L1505	1373329	TRUMPF® NOZZLE Ø 2.0
	L501505	1373329	TRUMPF® NOZZLE Ø 2.0
	L1506	1373330	TRUMPF® NOZZLE Ø 2.3
	L501506	1373330	TRUMPF® NOZZLE Ø 2.3
	L1507	1373331	TRUMPF® NOZZLE Ø 2.7
	L501507	1373331	TRUMPF® NOZZLE Ø 2.7
	L1500	1373324	TRUMPF® NOZZLE Ø 0.8
	L501500	1373324	TRUMPF® NOZZLE Ø 0.8





POS	II-VI P/N	OEM P/N	DESCRIPTION
1	L5	202952	TRUMPF® NOZZLE Ø 0.8
	L34	218969	TRUMPF® NOZZLE Ø 1.0
	L35	209402	TRUMPF® NOZZLE Ø 1.4 HD
	L36	217953	TRUMPF® NOZZLE Ø 1.7 HD
2	AL8		TRUMPF® STYLUS FOOT
3	AL7	216086	TRUMPF® STYLUS FOOT
4	L217	060653	TRUMPF® NOZZLE Ø 0.8
	L218	060653	TRUMPF® NOZZLE Ø 1.0
	L219	060653	TRUMPF® NOZZLE Ø 1.4





POS	II-VI P/N	OEM P/N	DESCRIPTION
2	351086	0351086-S0492-001-00000	TRUMPF® - ORIG. ELECTRODE CABLE PRECITEC® KE 130 gw/TT



FOR ALL OF YOUR REPLACEMENT OPTIC NEEDS

CO<sub>2</sub> LASER OPTICS/CONSUMABLE PRODUCTS  
 CO<sub>2</sub> LASER CONSUMABLES  
 NOZZLES & ACCESSORIES  
 TRUMPF CUT LENSES  
 MP-5 ULTRA-LOW ABSORPTION LENSES  
 ASPHERIC LENSES  
 MENISCUS LENSES  
 PLANO-CONVEX LENSES  
 CYLINDER LENSES  
 MIRRORS  
 SCANNING LASER SYSTEM OPTICS  
 BEAM COMBINERS  
 BEAM EXPANDERS  
 BEAMSPLITTERS  
 COLLIMATING OPTICS  
 DIAMOND-TURNED SPECIALTY OPTICS  
 REFLECTIVE PHASE RETARDERS  
 PRISMS & RHOMBS  
 MODULATORS  
 WAVEPLATES  
 THIN-FILM POLARIZERS  
 POLARIZER-ANALYZER-ATTENUATOR

RESONATOR OPTICS  
 OUTPUT COUPLERS  
 REAR MIRRORS  
 BAND-SELECTIVE OPTICS  
 AR-COATED WINDOWS  
 BREWSTER WINDOWS  
 PROTECTIVE WINDOWS  
 LENS STRESS ANALYZER(LSA)  
 1 MICRON OPTICS  
 1 MICRON OPTICAL COMPONENTS  
 1 MICRON DEBRIS SHIELDS  
 1 MICRON HPDDL BEAM INTEGRATORS  
 1 MICRON OPTICAL COATINGS  
 1 MICRON MATERIALS  
 OPTICAL MATERIALS  
 ZINC SELENIDE (ZNSE)  
 ZINC SULFIDE (ZNS)  
 ZINC SULFIDE MULTISPECTRAL (ZNS MS)  
 GERMANIUM (GE)  
 GALLIUM ARSENIDE (GAAS)  
 MATERIAL BLANKS  
 CVD DIAMOND SUBSTRATES  
 IR THERMAL IMAGING OPTICS



TOLL FREE 888.558.1504 (USA and Canada) T. 724.352.1504 F. 724.352.4980 WWW.II-VIINFRARED.COM

All original equipment manufacturer's names, drawings, colors, trademarks and part numbers are used for identification purposes only and we are in no way implying that any of our products are original equipment parts. All parts advertised for sale in this catalog are made for and/or by II-VI Incorporated.



# HOW TO ORDER



If you are unsure of what nozzles you need contact our trained staff for assistance. Customers in the USA and Canada can call toll-free: 888.558.1504. Customers outside of the USA and Canada can call: 724.352.1504. Customers in Europe and Asia can also contact a II-VI Subsidiary Office (see back cover for details).

\* Catalog revised January 2014 and copyrighted by II-VI Incorporated.

# TERMS AND CONDITIONS OF SALE

All orders received by II-VI Incorporated ("II-VI") are expressly conditioned upon the following conditions of sale:

## 1) Acceptance

Any additional or different terms set forth in any purchase order or other communication from Buyer are objected to and not binding upon II-VI unless and until accepted in writing by an authorized representative of II-VI.

## 2) Standard Warranty

II-VI warrants to the Buyer of each product of II-VI's own manufacture ("Product") that each Product will be free from defects in materials and workmanship subject to the following conditions:

The obligations of II-VI under this Standard Warranty shall be limited to either, at the option of II-VI: (1) the replacement or repair of any Product upon the shipment of such Product, freight prepaid by Buyer to the II-VI factory; or (2) the provision to Buyer of a credit against future purchases in an amount equal to the purchase price of the defective Product.

IN NO EVENT WILL II-VI BE LIABLE FOR ANY INCIDENTAL OR CONSEQUENTIAL DAMAGES OF BUYER. THE FOREGOING REMEDIES ARE THE SOLE AND EXCLUSIVE REMEDY OF BUYER FOR ANY BREACH OF WARRANTY UNDER THIS CONTRACT.

All claims under this Standard Warranty must be made within ONE (1) YEAR after the date on which the Product was delivered to Buyer. In the case of a replacement or repair of a Product, Buyer shall only ship a defective Product to II-VI after an authorized representative of II-VI has provided a Return Authorization (RA) number for such warranty claim. Returns will be subject to a restocking fee.

With respect to such returns, Buyer is solely responsible for properly packaging any Product to be returned to II-VI under this Standard Warranty. Products must be packaged in their original manufacturer's packaging or equivalent. Products must be packaged in separate shipping containers with Return Authorization (RA) numbers clearly marked on the outside of the shipping containers. If there are questions regarding proper packaging and shipping, contact II-VI for guidelines. II-VI will not be responsible for replacing or repairing any Product damaged while in transit to II-VI due to faulty or deficient packaging.

This Standard Warranty shall be void and shall not apply with respect to any Product which, upon inspection by II-VI, shows evidence of damage as a result of abuse, misuse, mishandling, accidental damage, alteration, negligent handling, or improper installation or application, or as a result of alteration or other causes beyond the control of II-VI.

This Standard Warranty shall not apply to goods or parts included in or supplied with Products; such goods or parts carry only such warranties, if any, as are provided by the manufacturers of such goods or parts, which warranties may be more restrictive than the Standard Warranty provided by II-VI.

With respect to any previously-purchased Product, II-VI shall have no obligation to install updates or upgrades to any components in such Product, even if the exclusion of such updates or upgrades of such components renders such Product obsolete when compared to a new Product of a substantially similar type.

THERE ARE NO WARRANTIES THAT EXTEND BEYOND THE DESCRIPTION CONTAINED HEREIN. THIS WARRANTY VOIDS AND EXCLUDES ANY AND ALL OTHER WARRANTIES OR REPRESENTATIONS, WHETHER EXPRESS OR IMPLIED OR ARISING UNDER ANY LAW, RELATING TO THE GOODS, INCLUDING BUT NOT LIMITED TO WARRANTIES OF MERCHANTABILITY AND/OR FITNESS FOR ANY PARTICULAR PURPOSES.

NO PERSON, FIRM, OR CORPORATION IS AUTHORIZED TO ASSUME ON BEHALF OF II-VI ANY ADDITIONAL OBLIGATION OR LIABILITY NOT EXPRESSLY PROVIDED HEREIN, EXCEPT IN A WRITING DULY EXECUTED BY AN OFFICER OF II-VI.

## 3) Limitation of Liability

In no event shall II-VI be liable for any incidental or consequential damages. The liability of II-VI on any claim of any kind shall in no event exceed the price of the Product which gives rise to the claim. Except as to title, all such liability shall terminate upon expiration of the warranty period of the Product.

The invalidity of any of the previous paragraphs shall not affect the remainder of this paragraph or any other paragraph in this section.

## 4) Patent Infringement

Buyer shall hold II-VI harmless against any expense or loss resulting from infringement of patents or trademarks arising from compliance with Buyer's designs or specifications.

## 5) Delivery and Title

Delivery dates are approximate and are based upon prompt receipt of all necessary information from Buyer. Under no circumstances does II-VI guarantee date of shipment.

Unless otherwise specified by II-VI, shipment will be made and title will pass F.O.B. point of shipment. II-VI shall ship Products as it deems appropriate unless instructed otherwise in writing by Buyer.

## 6) Risk of Loss

Risk of loss or damage shall pass to Buyer upon shipment. Loss or damage that occurs during shipping by a carrier selected by Buyer is Buyer's responsibility.

## 7) Uncontrollable Delays

II-VI shall not be liable for delivery delays due to causes beyond its reasonable control including, but not limited to, acts of God, acts of Buyer, acts of military authority, governmental priorities, labor strikes, and transportation delays.

## 8) Financial Conditions

If II-VI determines in good faith that the financial condition of Buyer at any time does not justify the continuation of production or shipment on the terms of payment originally specified, II-VI may require full or partial payment in advance. In the event of Buyer bankruptcy or insolvency, II-VI shall be entitled to cancel any outstanding order and shall receive reimbursement for its cancellation charges.

## 9) Payment Terms

Unless terms are specifically set forth on the Order Acknowledgement, Buyer shall pay at such time and such terms as specified in II-VI's original invoice. Any quotations shall be valid for the period stated on the quotation.

## 10) Cancellation

Buyer may not cancel its order after shipment has been made. Buyer may cancel its order prior to shipment only upon written notice and consent of II-VI. If II-VI consents to any such cancellation, Buyer may be required to pay cancellation charges which include lost profits and all expenses incurred in connection with the cancelled order.

## 11) Jurisdiction

The validity, performance, and all matters relating to the interpretation and effect of this agreement shall be governed by the laws of the Commonwealth of Pennsylvania.

TOLL FREE 888.558.1504 (USA and Canada) T. 724.352.1504 F. 724.352.4980 WWW.II-VI.INFRARED.COM

All original equipment manufacturer's names, drawings, colors, trademarks and part numbers are used for identification purposes only and we are in no way implying that any of our products are original equipment parts. All parts advertised for sale in this catalog are made for and/or by II-VI Incorporated.



## WORLDWIDE SALES OFFICES

To place an order, contact a II-VI sales representative at any of the following locations, or visit [www.iiviiinfrared.com/contact](http://www.iiviiinfrared.com/contact) for our most complete and up-to-date contact information.

**II-VI INFRARED**

375 SAXONBURG BLVD  
SAXONBURG, PA 16056  
UNITED STATES  
888-558-1504 (Toll free in USA)  
T. 724-352-1504  
F. 724-352-4980  
[info@iiviiinfrared.com](mailto:info@iiviiinfrared.com)

**II-VI WEST**

36570 BRIGGS ROAD  
MURRIETA, CA 92563  
USA  
800.262.5273 (Toll free in USA)  
T. 951.926.7640  
F. 951.926.1984  
[info@iiviiinfrared.com](mailto:info@iiviiinfrared.com)

**II-VI BENELUX N.V.**

BAAIKENSSTRAAT 21/2  
B-9240 ZELE  
BELGIUM  
T. 32 (0) 52 45 86 10  
F. 32 (0) 52 45 86 11  
[sales@ii-vi.be](mailto:sales@ii-vi.be)

**II-VI DEUTSCHLAND GmbH**

BRUNNENWEG 19-21  
D-64331 WEITERSTADT  
GERMANY  
T. 49 6150 54 39-226  
F. 49 6150 54 39-200  
[info@ii-vi.de](mailto:info@ii-vi.de)

**II-VI ITALIA S.r.l.**

VIA ANDREA COSTA  
31-20131 MILANO  
ITALY  
T. 39 02 2828740  
F. 39 02 26149131  
[info@ii-vi.it](mailto:info@ii-vi.it)

**II-VI SUISSE S.a.r.l.**

MOULIN-DU-CHOC  
1122 ROMANEL-SUR-MORGES  
SWITZERLAND  
T. 41 2186 902 52  
F. 41 2186 993 08  
[info@ii-vi.ch](mailto:info@ii-vi.ch)

**II-VI UK LTD.**

21 BURLEY ROAD  
OAKHAM, RUTLAND  
LE15 6DH  
UNITED KINGDOM  
T. 44 1572 771 778  
F. 44 1572 771 779  
[sales@ii-vi.co.uk](mailto:sales@ii-vi.co.uk)

**II-VI JAPAN**

WBG MARIVE EAST 26F  
NAKASE 2-6-1  
MIHAMA-KU, CHIBA-SHI  
CHIBA 261-7126  
JAPAN  
T. 81 43297 2693  
F. 81 43297 3003  
[center@ii-vi.co.jp](mailto:center@ii-vi.co.jp)

**II-VI SINGAPORE PTE. LTD.**

BLK. 5012, TECHPLACE II  
#04-07 & 05-07/12,  
ANG MO KIO AVE. 5  
SINGAPORE 569876  
T. 65 6481 8215  
F. 65 6481 8702  
[info@ii-vi.com.sg](mailto:info@ii-vi.com.sg)

**II-VI INFRARED LASER(SUZHOU)**

BLOCK D#01-01/02  
NO. 5 XING HAN STREET  
SUZHOU INDUSTRIAL PARK  
SUZHOU, CHINA 215101  
T. 86 512 6761 9295  
F. 86 512 6767 1207  
[infosz@ii-vi.com.cn](mailto:infosz@ii-vi.com.cn)

**II-VI KOREA**

1502 WEST HANSHIN INTERVALLEY  
707-34 YEOKSAM, GANGNAM  
SEOUL, KOREA 135-731  
T. 02-572-3395  
F. 02-6499-3395  
[jchoi@ii-vi.com](mailto:jchoi@ii-vi.com)